

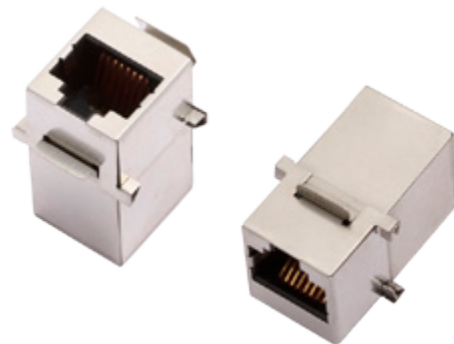
TECHNICAL SPECIFICATIONS

Materials Unshielded Coupler:

Body: TP, UL94 V-0 Rated
Contacts: Phosphor Bronze
Plating: 30µ" Gold over Nickel
Operating Temp. 0°C to + 85°C
Storage Temp. -40°C to +85°C

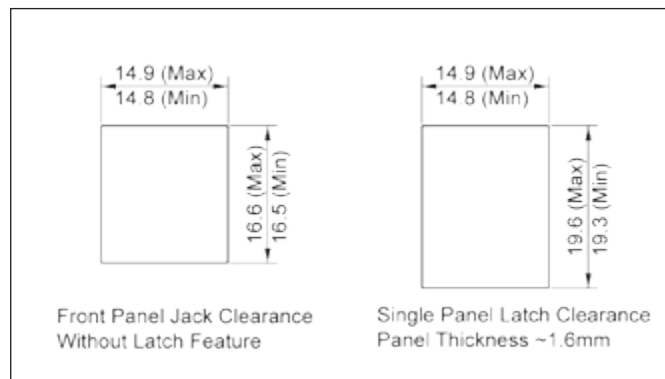
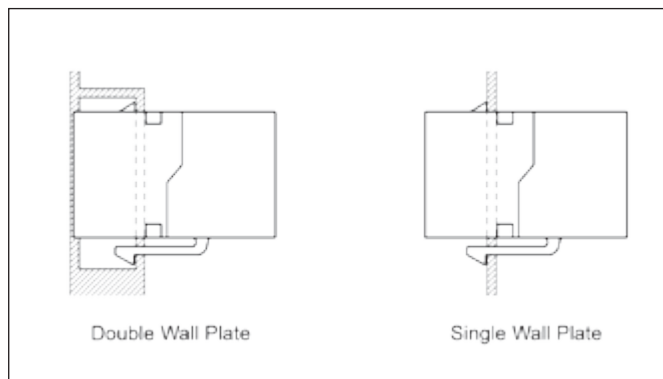
Materials Shielded Coupler:

Body: TP, UL94 V-0 Rated
Shield: Stainless Steel
Contacts: Phosphor Bronze
Plating: 30µ" Gold over Nickel
Operating Temp. 0°C to + 85°C
Storage Temp. -40°C to +85°C



Features:

- Available in Shielded or Unshielded
- Compatible with Industry standard Panel Cut outs
- Can be mounted in Single or Double Wall Plate
- Cat5, Cat5e and Cat6a versions



Ordering information:

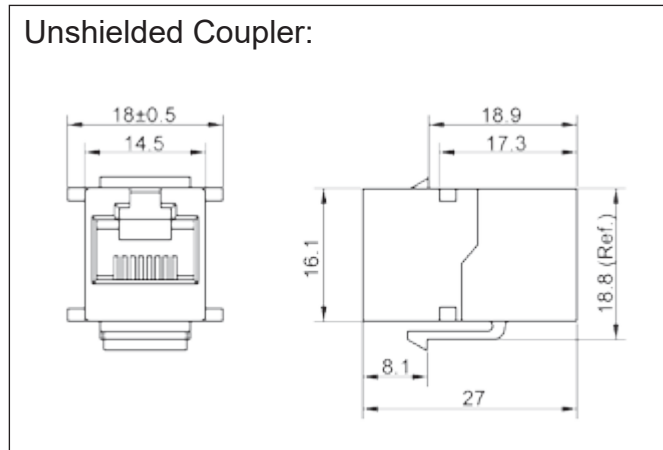
Unshielded Coupler:

Type / Size:	P/N - BULK:	Product Code:
Unshielded Cat5	2101-0115-01	3101-8821
Unshielded Cat5e	2101-0115-03	3101-CAT5e
Unshielded Cat6a	2101-0115-05	3101-CAT6a

Shielded Coupler:

Type / Size:	P/N - BULK:	Product Code:
Shielded Cat5	2101-0115-02	3101S-8821
Shielded Cat5e	2101-0115-04	3101S-CAT5e
Shielded Cat6a	2101-0115-06	3101S-CAT6a

Unshielded Coupler:



Shielded Coupler:

