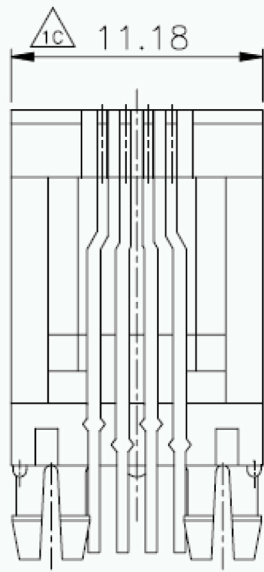
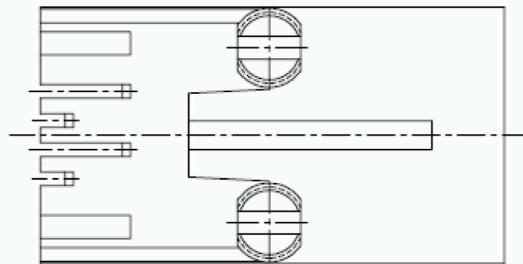
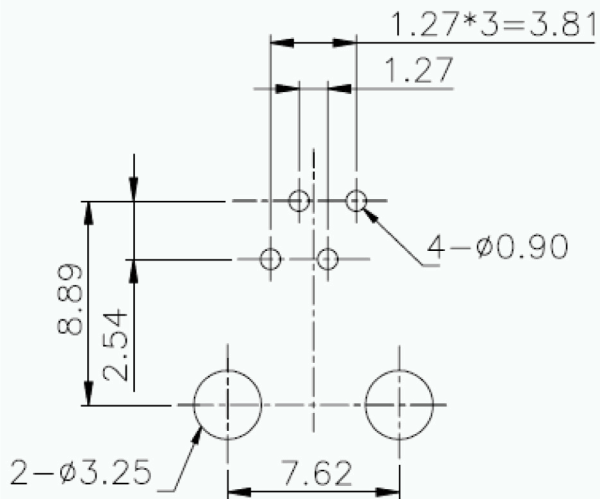
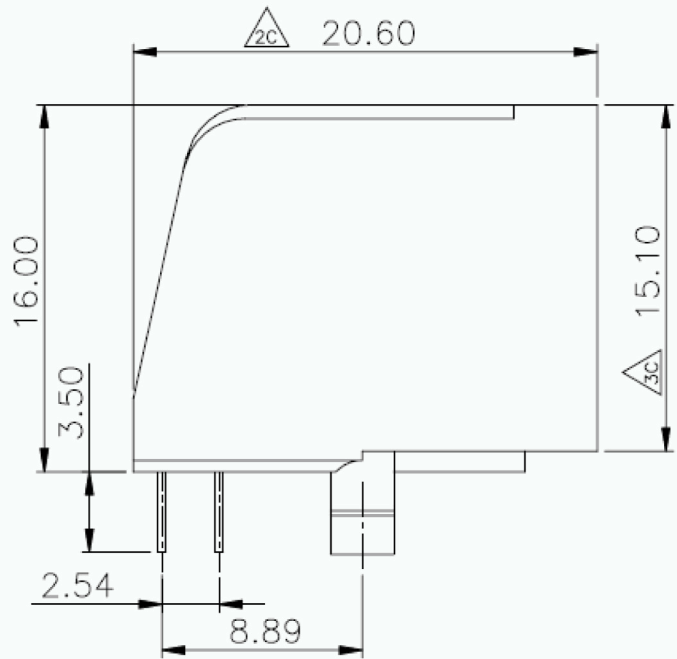


No.	Changes and/or Note No.	Date	Intr.	No.	Changes and/or Note No.	Date	Intr.



PCB LAYOUT/TOP VIEW



**MATERIALS:**

PLASTIC HOUSING: ENGINEERING THERMOPLASTIC  
FLAMMABILITY RATING UL 94V-0.

CONTACTS: PHOSPHOR BRONZE

PLATING: GOLD PLATING OVER NICKEL IN CONTACT.

TIN PLATING OVER NICKEL IN SOLDER AREA.

DATE 10/02/2012	DRAWN MRR	SCALE	MATERIAL TYPE	TOLERANCE .XXX ±0.10 .XX ±0.25 .X ±0.38 X ±0.50 Angle ±3°
	APPROVED		REPLACES	
			RJJ-4-4-NF-RA RJ11 CON-4P-UNSHIELDED	
			DRAWING No	2101-0100-11