

TECHNICAL SPECIFICATIONS

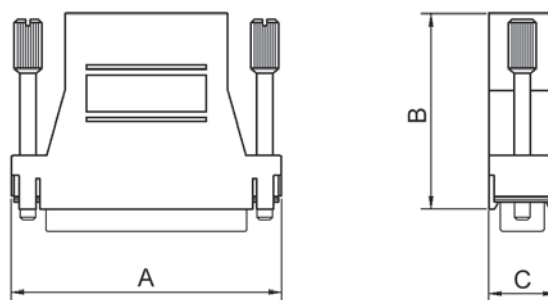
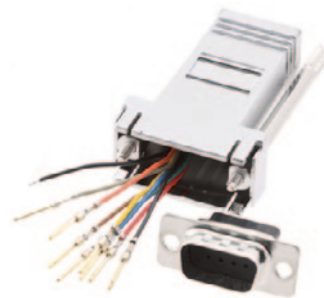
Materials:

Hood: UL-recognised Plastic material

Plating: Metalized

Operating Temperature: -30°C to +110°C

Jackscrews: UNC 4-40 (Standard)



Features:

- D-Sub sizes 9, 15, 25 to RJ45
- Snap-Lock system
- Delivered complete with wires and Sub-D
- Re-openable

Size DA	Dim A	Dim B	Dim C
9-way	33,0	15,0	49,5
15-way	41,3	15,0	39,0
25-way	55,1	15,0	39,0

Order Codes:

D-Sub:	Modular Jack	Part No:
09-Socket	RJ45	2112-0105-01
15-Socket	RJ45	2112-0105-02
25-Socket	RJ45	2112-0105-03

D-Sub:	Modular Jack	Part No:
09-Plug	RJ45	2112-0105-11
15-Plug	RJ45	2112-0105-12
25-Plug	RJ45	2112-0105-13

