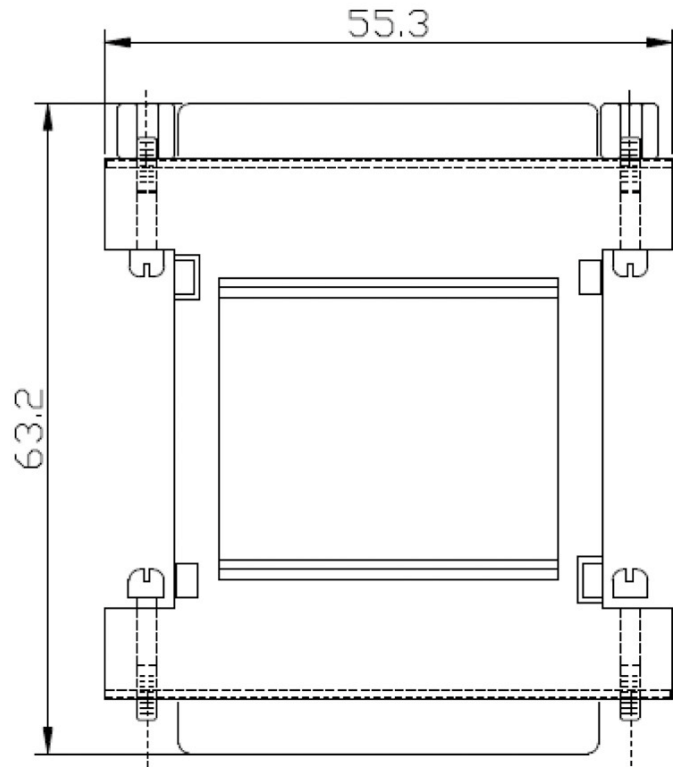


No.	Changes and/or Note No.	Date	Intr.	No.	Changes and/or Note No.	Date	Intr.

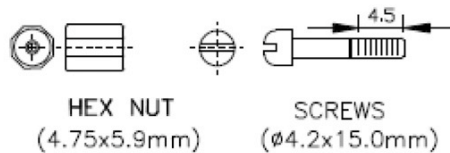


SPECIFICATION

MATERIAL
 WIRE :PVC WIRE COMPOUND UL1007
 Insulator: P.B.T & Glass fill reinforced UL94V-0
 Contacts: Brass(standard);Phosphor Bronze(choose)
 Shell: **ABS UL94HB Finished Metalized**
 Rivet,Boardlock: Brass
 CONTACT PLATING
 Underplate: 50m" Nickel
 Contact area: 1m" Selective Gold
 ELECTRICAL CHARACTERISTICS
 Operation voltage: 250 VAC max.
 Current rating: 3 Amps max.
 Contact resistance: 15 mohms max.
 Insulation resistance: 3000 Mohms min @ 500 VDC
 Dielectric withstanding voltage: 1000 VAC / minute
 Operating temperature: -55°C TO +105°C

WIRE SPECIFICATION COUNT		
BLACK	F-F	3
BROWN	F-F	3
RED	F-F	3
ORANGE	F-F	3
YELLOW	F-F	3
GREEN	F-F	2
BLUE	F-F	2
VIOLET	F-F	2
GRAY	F-F	2
WHITE	F-F	2

PARTS OPTION



DATE	DRAWN	SCALE	MATERIAL TYPE
	APPROVED		REPLACES
			25-way female to 25-way female-Met. GA-2525-FF-M-K
			DRAWING No 2111-0105-23