

Device connectors



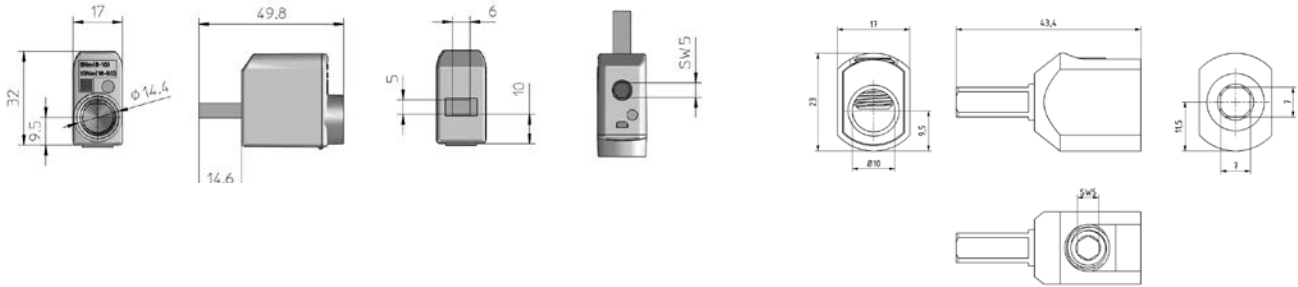
General/use: Device connectors are designed to be used with aluminium and copper cables.

Materials: The material of the body and tightening screws is aluminium with tin plating. Plastic cover is made of self-extinguishing polyamide.

Certification and applied regulations:
EN 60947-7-1:2009, EN 61238-1:2003

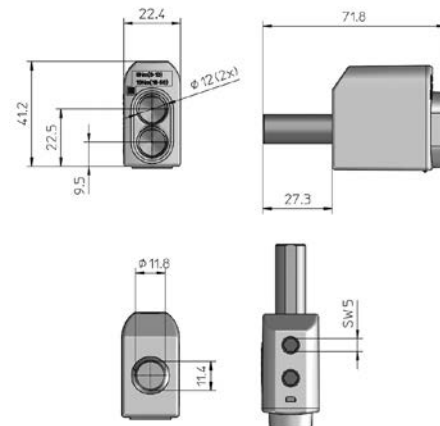


VC06-0002



STK code	Product code	Product name*	Busbar type	Conductor (mm ²)	Un (V)	In (A)	Tightening torque	Weight (g)	Package (pcs)
19 123 17	VC06-0019	Device connector 50	Standard	1xAl/Cu 6-50	690	160 (Cu)/100 (Al)	6 Nm (6-10 mm ²), 10 Nm (16-50 mm ²)	22,8	50
19 123 18	VC06-0014	Device connector 50 M	Standard	1xAl/Cu 6-50	690	160 (Cu)/100 (Al)	6 Nm (6-10 mm ²), 10 Nm (16-50 mm ²)	23,2	50
19 123 80	VC06-0039	Device connector 1xAl/Cu 6-50 L	Left handed	1xAl/Cu 6-50	690	160 (Cu)/100 (Al)	6 Nm (6-10 mm ²), 10 Nm (16-50 mm ²)	22,8	50
19 123 81	VC06-0038	Device connector 1xAl/Cu 6-50 R	Right handed	1xAl/Cu 6-50	690	160 (Cu)/100 (Al)	6 Nm (6-10 mm ²), 10 Nm (16-50 mm ²)	22,8	50
19 123 82	VC06-0037	Device connector 1xAl/Cu 6-50 ML	Left handed	1xAl/Cu 6-50	690	160 (Cu)/100 (Al)	6 Nm (6-10 mm ²), 10 Nm (16-50 mm ²)	23,2	50
19 123 83	VC06-0036	Device connector 1xAl/Cu 6-50 MR	Right handed	1xAl/Cu 6-50	690	160 (Cu)/100 (Al)	6 Nm (6-10 mm ²), 10 Nm (16-50 mm ²)	23,2	50
52 024 02	VC06-0002	Device connector 1xAl/Cu 50 plug model	Square	1xAl/Cu 2,5-50	690	80 A	3 Nm (2,5-6 mm ²), 7,5 Nm (10-50 mm ²)	15	50

*Model specific clarifications
M = Model has connector for measurement



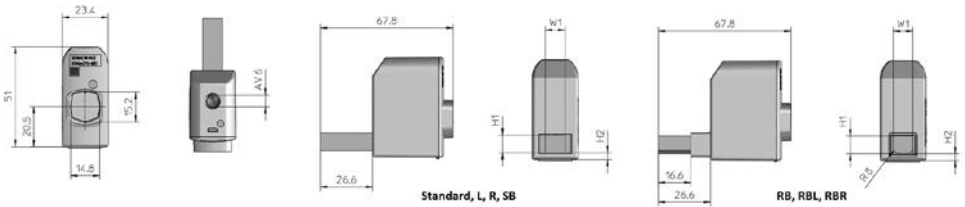
STK code	Product code	Product name*	Busbar type	Conductor (mm ²)	Un (V)	In (A)	Tightening torque	Weight (g)	Package (pcs)
19 123 29	VC06-0018	Device connector 2x50 RB	Round bar	2xAl/Cu 6-50	690	320 (Cu)/250 (Al)	6 Nm (6-10 mm ²), 10 Nm (16-50 mm ²)	26,2	30

Device connectors



Device connector 1xAl/Cu 16-95 mm²

16–95 mm² device connector is available with seven different types of busbar.



STK code	Product code	Product name*	Busbar type	Conductor (mm ²)	Un (V)	In (A)	Tightening torque	W1 (mm)	H1 (mm)	H2 (mm)	Weight (g)	Package (pcs)
19 123 20	VC06-0015	Device connector 1xAl/Cu 16-95 M	Standardi	16-95	690	230 (Cu)/180 (Al)	12 Nm (16-50 mm ²), 20 Nm (70-95 mm ²)	10	9	3,5	56	30
19 123 22	VC06-0016	Device connector 1xAl/Cu 16-95 RBM	Round bar	16-95	690	230 (Cu)/180 (Al)	12 Nm (16-50 mm ²), 20 Nm (70-95 mm ²)	10	9	3,5	58	30
19 123 24	VC06-0017	Device connector 1xAl/Cu 16-95 SBM	Screw bar	16-95	690	230 (Cu)/180 (Al)	12 Nm (16-50 mm ²), 20 Nm (70-95 mm ²)	16	9	3,5	58	30
19 123 19	VC06-0020	Device connector 1xAl/Cu 16-95	Standardi	16-95	690	230 (Cu)/180 (Al)	12 Nm (16-50 mm ²), 20 Nm (70-95 mm ²)	10	9	3,5	56	30
19 123 21	VC06-0021	Device connector 1xAl/Cu 16-95 RB	Round bar	16-95	690	230 (Cu)/180 (Al)	12 Nm (16-50 mm ²), 20 Nm (70-95 mm ²)	10	9	3,5	58	30
19 123 23	VC06-0022	Device connector 1xAl/Cu 16-95 SB	Screw bar	16-95	690	230 (Cu)/180 (Al)	12 Nm (16-50 mm ²), 20 Nm (70-95 mm ²)	16	9	3,5	58	30
19 123 25	VC06-0023	Device connector 1xAl/Cu 16-95 L	Left handed	16-95	690	230 (Cu)/180 (Al)	12 Nm (16-50 mm ²), 20 Nm (70-95 mm ²)	10	9	3,5	56	30
19 123 26	VC06-0024	Device connector 1xAl/Cu 16-95 R	Right handed	16-95	690	230 (Cu)/180 (Al)	12 Nm (16-50 mm ²), 20 Nm (70-95 mm ²)	10	9	3,5	56	30
19 123 27	VC06-0025	Device connector 1xAl/Cu 16-95 ML	Left handed	16-95	690	230 (Cu)/180 (Al)	12 Nm (16-50 mm ²), 20 Nm (70-95 mm ²)	10	9	3,5	56	30
19 123 28	VC06-0026	Device connector 1xAl/Cu 16-95 MR	Right handed	16-95	690	230 (Cu)/180 (Al)	12 Nm (16-50 mm ²), 20 Nm (70-95 mm ²)	10	9	3,5	56	30
19 123 34	VC06-0028	Device connector 1xAl/Cu 16-95 RBL	Left handed round bar	16-95	690	230 (Cu)/180 (Al)	12 Nm (16-50 mm ²), 20 Nm (70-95 mm ²)	10	9	3,5	56	30
19 123 35	VC06-0029	Device connector 1xAl/Cu 16-95 RBR	Right handed round bar	16-95	690	230 (Cu)/180 (Al)	12 Nm (16-50 mm ²), 20 Nm (70-95 mm ²)	10	9	3,5	56	30
19 123 36	VC06-0030	Device connector 1xAl/Cu 16-95 RBMR	Right handed round bar	16-95	690	230 (Cu)/180 (Al)	12 Nm (16-50 mm ²), 20 Nm (70-95 mm ²)	10	9	3,5	56	30
19 123 37	VC06-0031	Device connector 1xAl/Cu 16-95 RBML	Left handed round bar	16-95	690	230 (Cu)/180 (Al)	12 Nm (16-50 mm ²), 20 Nm (70-95 mm ²)	10	9	3,5	56	30

*Model specific clarifications
M = Model has connector for measurement

Device connector packages

Device connectors now available in sorted packages. Device connector package includes standard, left- and right-handed connectors. Measure connector option in M-models.



STK code	Product code	Product name	Contents	Package (pcs)
19 123 84	VC06-0040	Device connector package 50 LCR	VC06-0019, VC06-0038, VC06-0039	Qty by order
19 123 85	VC06-0041	Device connector package 50 LCRM	VC06-0014, VC06-0037, VC06-0036	Qty by order
19 123 75	VC06-0034	Device connector package 95 LCR	VC06-0020, VC06-0023, VC06-0024	Qty by order
19 123 76	VC06-0035	Device connector package 95 LCRM	VC06-0015, VC06-0025, VC06-0026	Qty by order