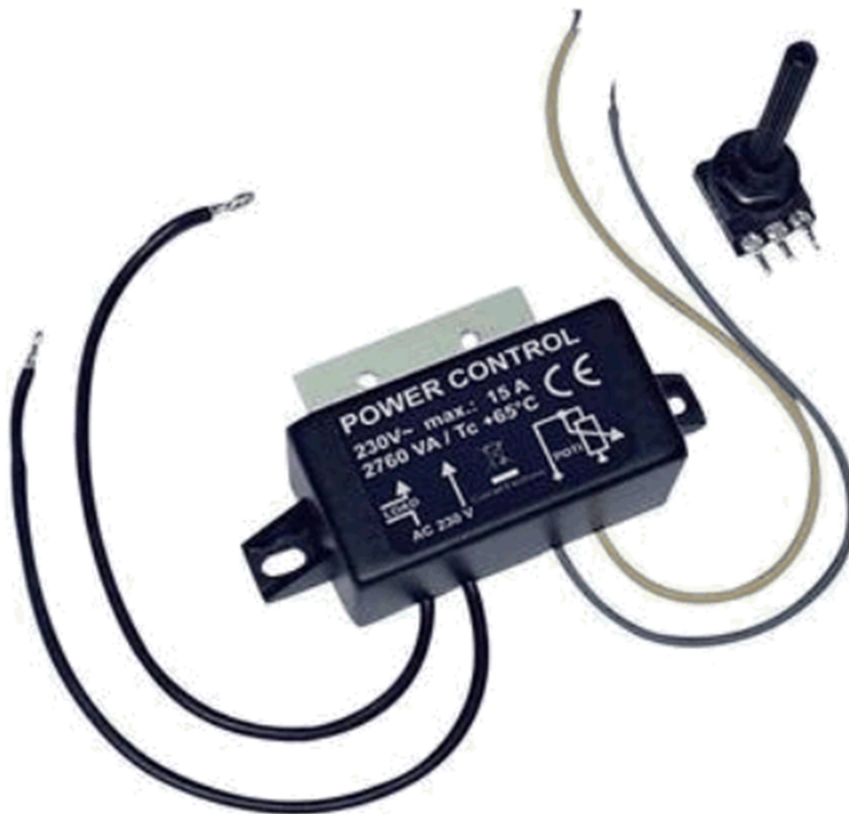


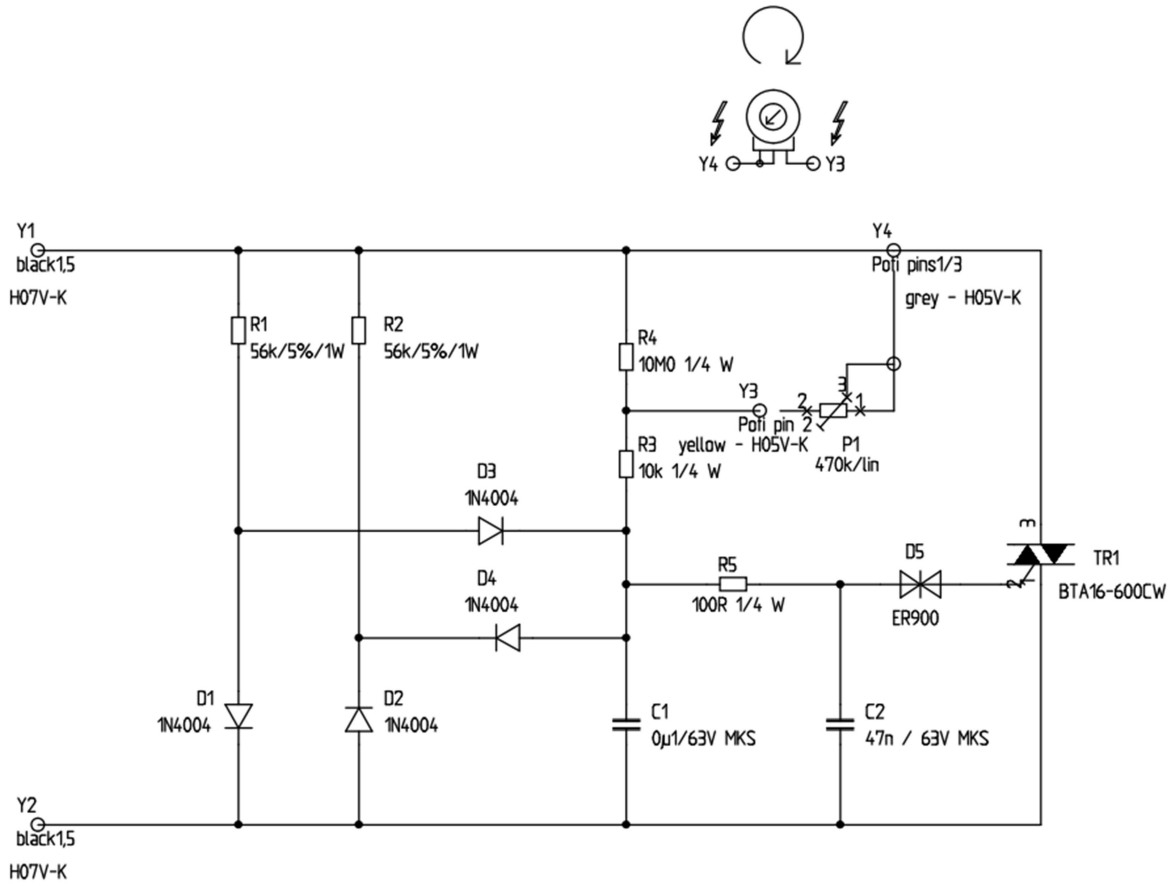
Data Sheet

Dimmer & Drehzahlregler max 230VAC/ 2760VA (power control)



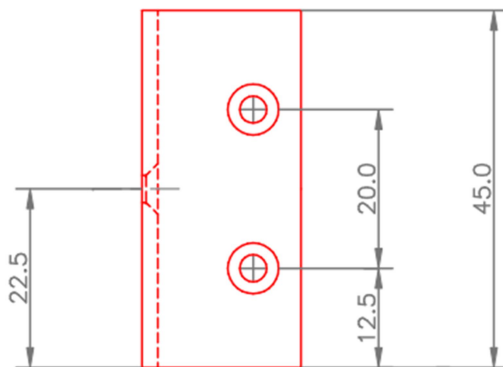
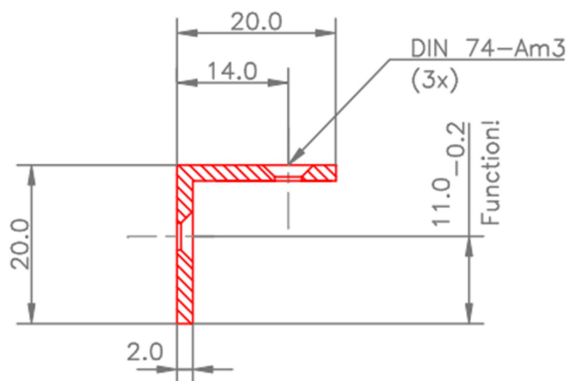
Data Sheet

Circuit-diagram



Data Sheet

Singular parts (tolerances +/- 0.1 mm unless otherwise specified)



partlist pos. 15

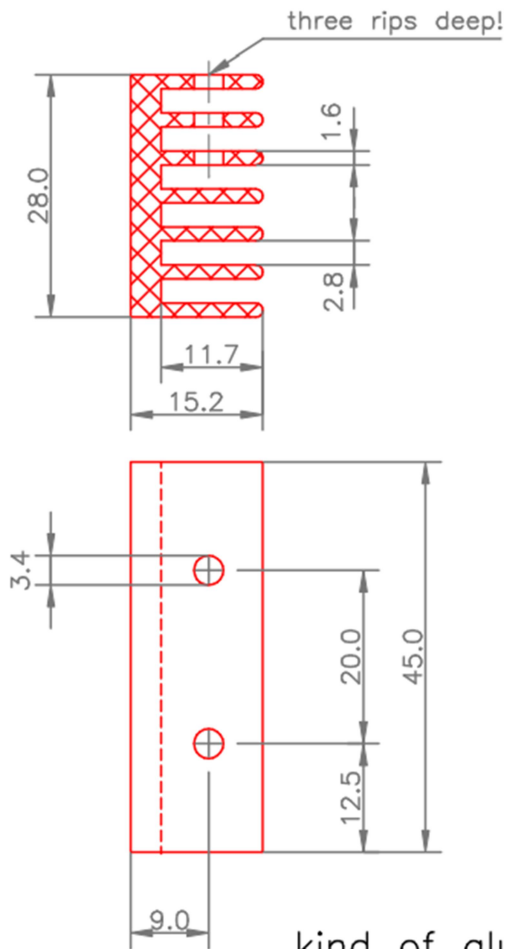
heatsink-1

extruded aluminium L - profile

kind of aluminium = no certain specification

Data Sheet

Singular parts (tolerances +/- 0.1 mm unless otherwise specified)



partlist pos. 16

heatsink

extruded aluminium heatsink

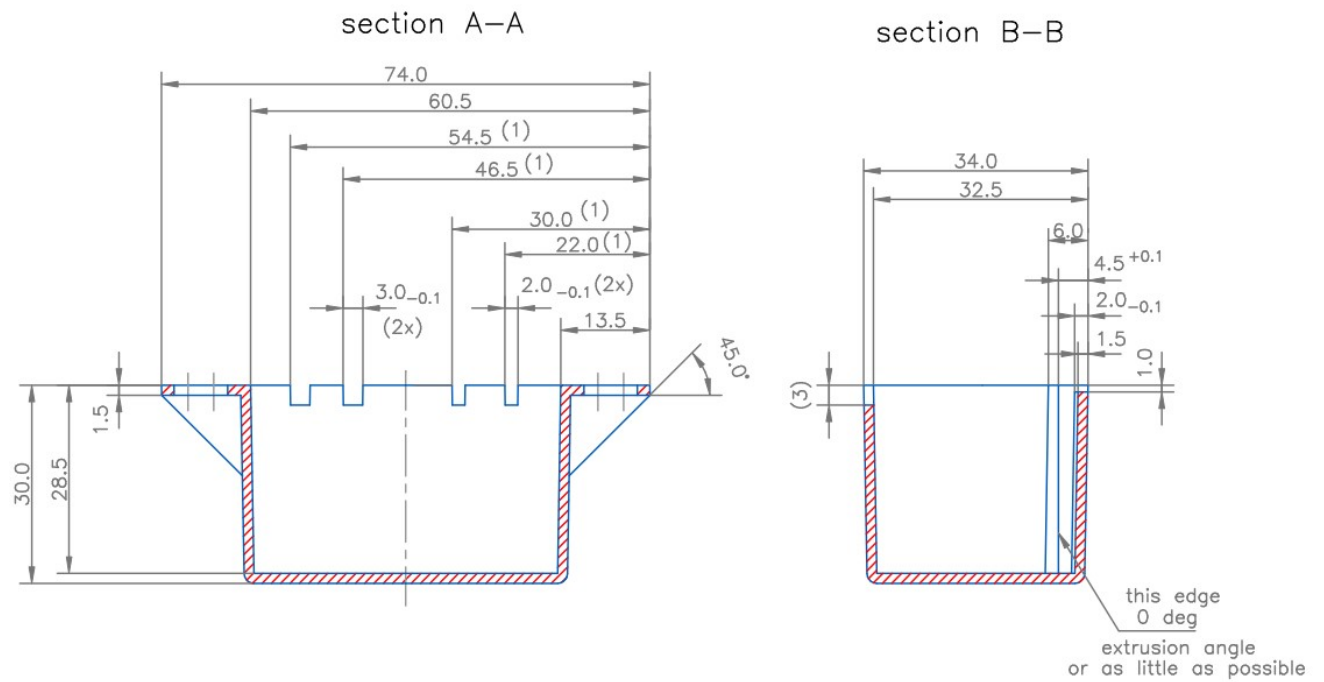
length = 45mm with two holes

like shown in drawing

kind of aluminium = no certain specification

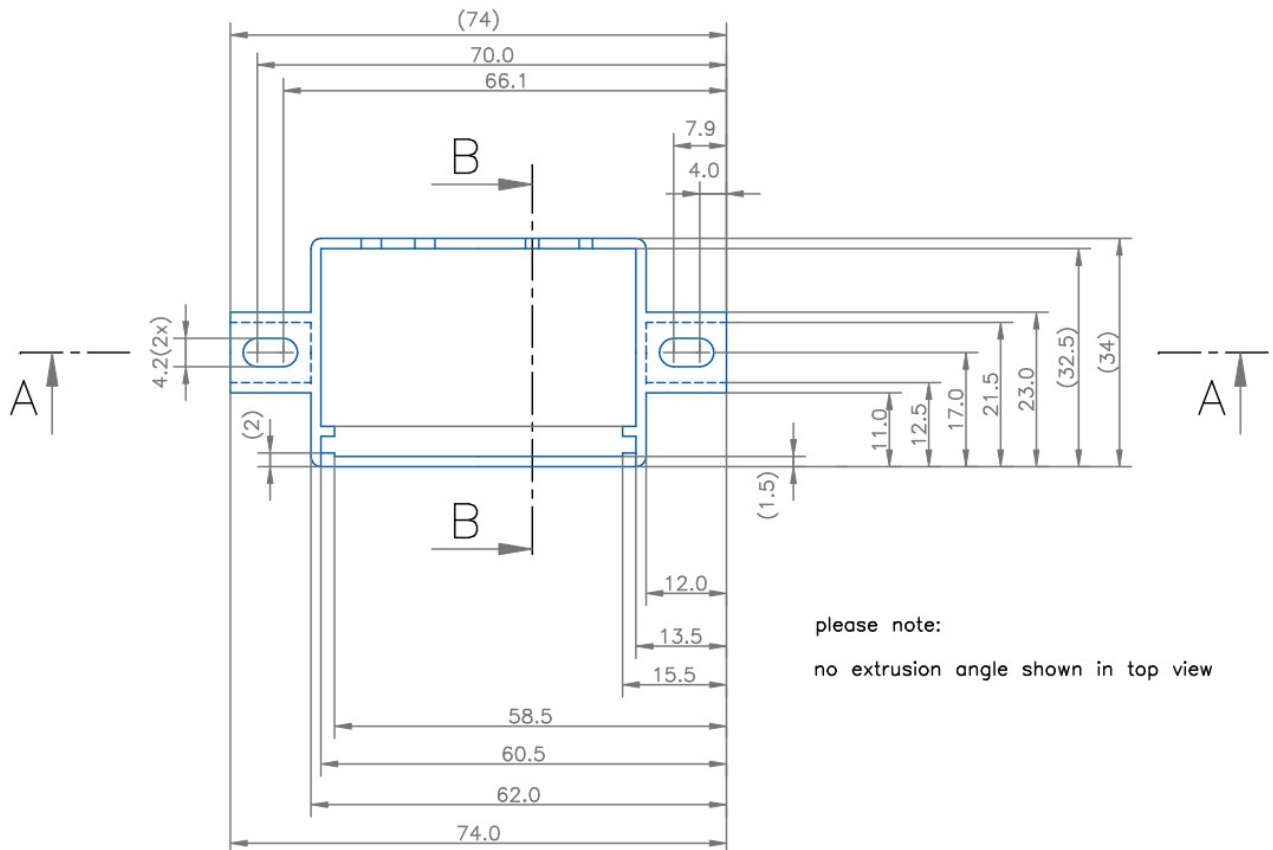
Data Sheet

Singular parts (tolerances +/- 0.1 mm unless otherwise specified)



Data Sheet

Singular parts (tolerances +/- 0.1 mm unless otherwise specified)



partlist pos. 17

housing

material – polycarbonat

type of polycarbonat is LEXAN PC Resin 241/R-111 from GE

extrusion angle = 1 deg (0 deg)

surface = no certain specification, must be able to add an imprint