

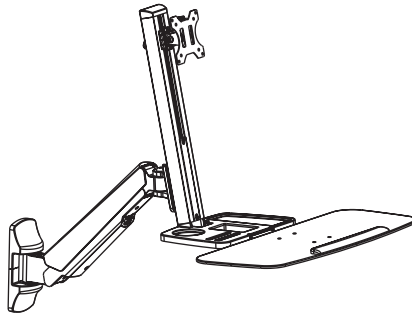
# Owner's Manual

**TRIPP-LITE**

WorkWise™

## Single-Display Sit-Stand Wall-Mount Workstation

Model: WWSS1332W



**CAUTION: DO NOT EXCEED MAXIMUM LISTED WEIGHT CAPACITY (17.6 lb. / 8 kg). SERIOUS INJURY OR PROPERTY DAMAGE MAY OCCUR!**

Este manual esta disponible en español en la página de Tripp Lite: [www.tripplite.com](http://www.tripplite.com)

Ce manuel est disponible en français sur le site Web de Tripp Lite : [www.tripplite.com](http://www.tripplite.com)

Русскоязычная версия настоящего руководства представлена на веб-сайте компании Tripp Lite по адресу: [www.tripplite.com](http://www.tripplite.com)

Dieses Handbuch ist in deutscher Sprache auf der Tripp Lite-Website verfügbar: [www.tripplite.com](http://www.tripplite.com)

### PROTECT YOUR INVESTMENT!

Register your product for quicker service and ultimate peace of mind. You could also win an ISOBAR6ULTRA surge protector—a \$100 value!  
[www.tripplite.com/warranty](http://www.tripplite.com/warranty)

**TRIPP-LITE**



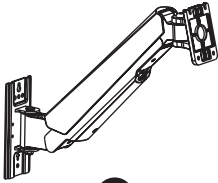
1111 W. 35th Street, Chicago, IL 60609 USA • [www.tripplite.com/support](http://www.tripplite.com/support)

Copyright © 2017 Tripp Lite. All rights reserved.

## Component Checklist



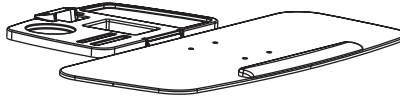
**IMPORTANT:** Ensure all parts according to the component checklist have been received prior to installation. If any parts are missing or faulty, visit [www.tripplite.com/support](http://www.tripplite.com/support) for service.



**A**  
Bracket Arm  
**x1**



**B**  
Support Mast  
**x1**



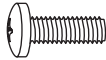
**C**  
Keyboard Shelf  
**x1**



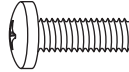
**D**  
Decorative Cover  
**x2**



**E**  
M8 x 25  
**x2**



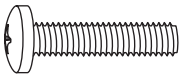
**F**  
M4 x 12  
**x4**



**G**  
M5 x 12  
**x4**



**H**  
M4 x 16  
**x4**



**I**  
M5 x 16  
**x4**



**J**  
D5 Washer  
**x4**



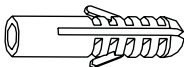
**K**  
8 x 5 Spacer  
**x4**



**L**  
D6 Washer  
**x3**



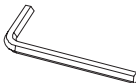
**M**  
6.3 x 55  
Tapping Screw  
**x4**



**N**  
10 x 45 Anchor  
**x4**



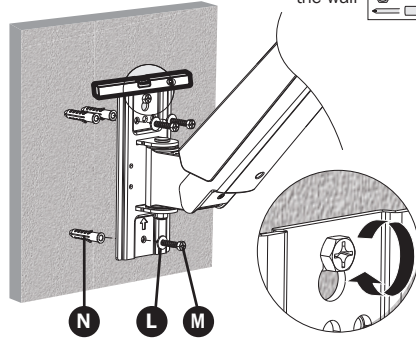
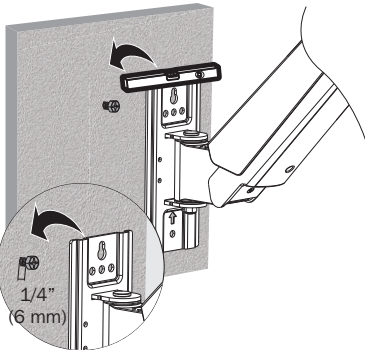
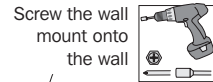
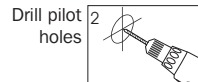
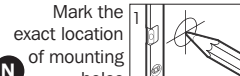
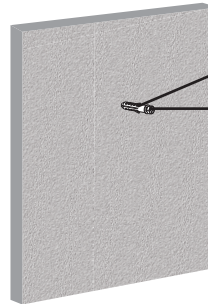
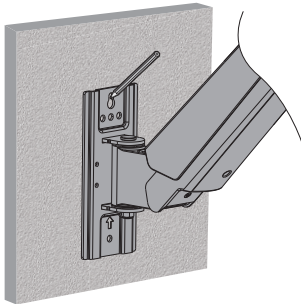
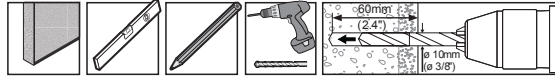
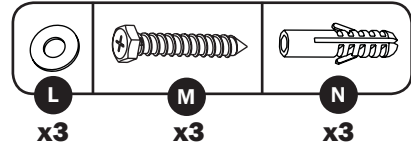
**O**  
4 mm Hex Key  
**x1**



**P**  
6 mm Hex Key  
**x1**

## Assembly

- 1** Mount Bracket Arm to wall.

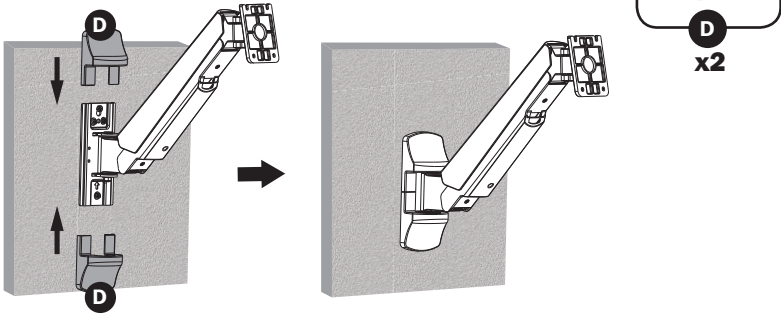


### WARNING

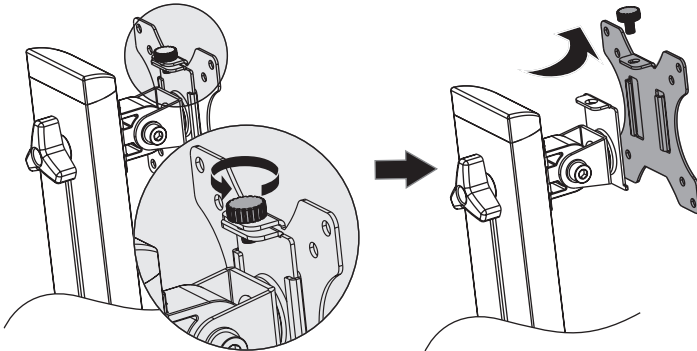
- When mounting on a wood stud wall, make sure that mounting screws are anchored into the center of the studs. Use of a stud finder is highly recommended.
- When installing wall mounts onto a concrete masonry unit (also known as a CMU or “cinder block”), verify that the actual concrete thickness is at least 35 mm (1-3/8”) in order to hold the concrete anchors. **DO NOT DRILL INTO MORTAR JOINTS!** Be sure to mount the wall mount with the included concrete anchors and anchor bolts onto solid sections of the blocks. The solid sections can generally be found 25 mm (1”) toward the middle of the block from either end. An electric drill on a slow setting is suggested to drill the hole rather than a hammer drill, so as to avoid breaking out the back of the hole when entering a hollow section.
- Installers are responsible to provide hardware for other types of mounting situations.
- Installers must verify that the supporting surface will safely support the combined load of the equipment and all attached hardware and components.

## Assembly

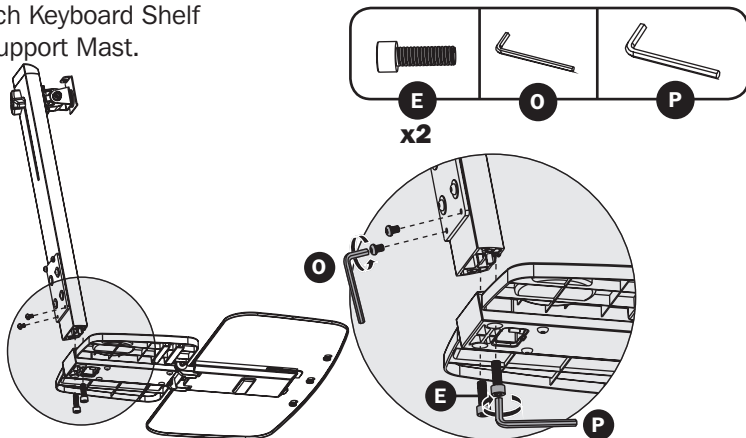
**2** Install Decorative Covers.



**3** Remove VESA Plate from Support Mast.

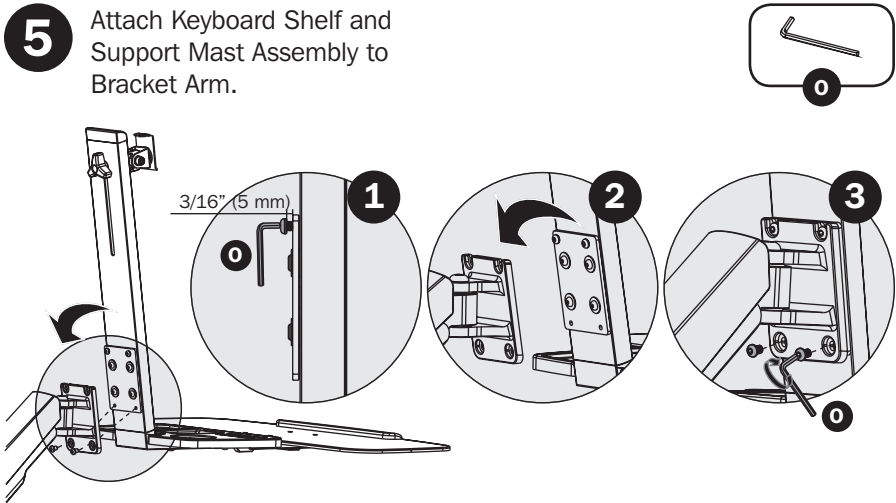


**4** Attach Keyboard Shelf to Support Mast.

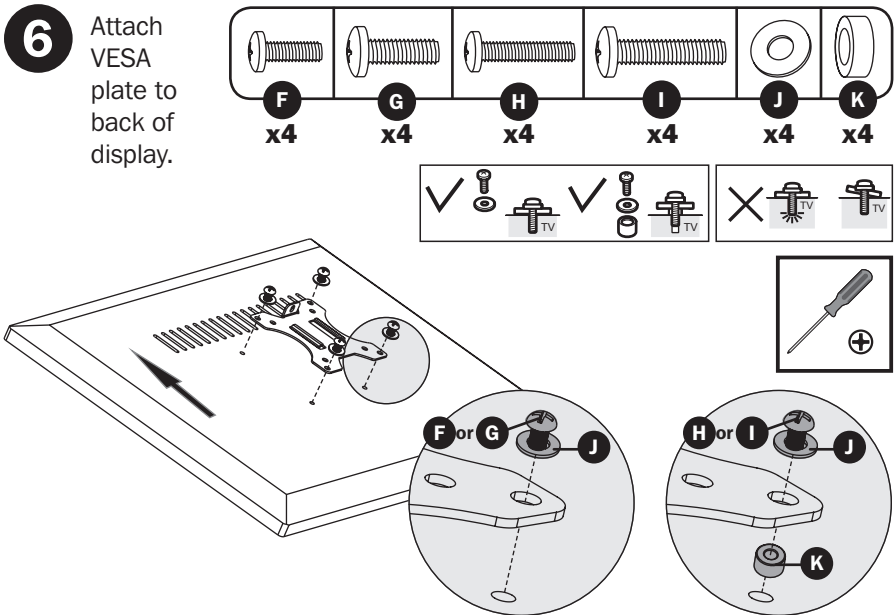


## Assembly

- 5** Attach Keyboard Shelf and Support Mast Assembly to Bracket Arm.



- 6** Attach VESA plate to back of display.

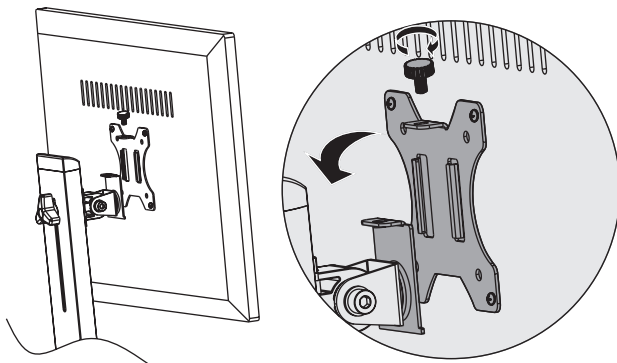


**Note:** Firmly secure the VESA plate to the display using the appropriate screws, washers and spacers (if necessary).

**⚠ Do not over-tighten screws.**

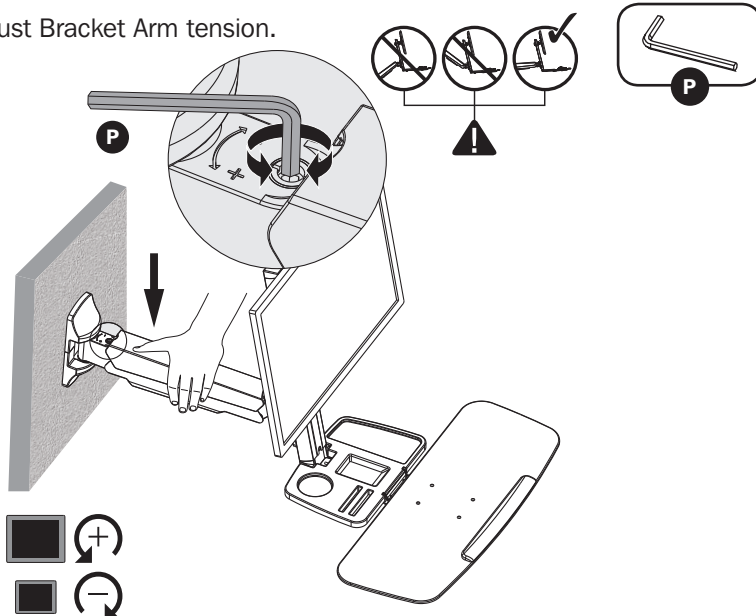
## Assembly

- 7** Slide VESA plate and Display onto the Support Mast.



Using an assistant or mechanical lifting equipment, lift the display with attached VESA plate. Slide the VESA plate over the Support Mast bracket. Reattach the top knob to secure the VESA mount (removed in step 3).

- 8** Adjust Bracket Arm tension.



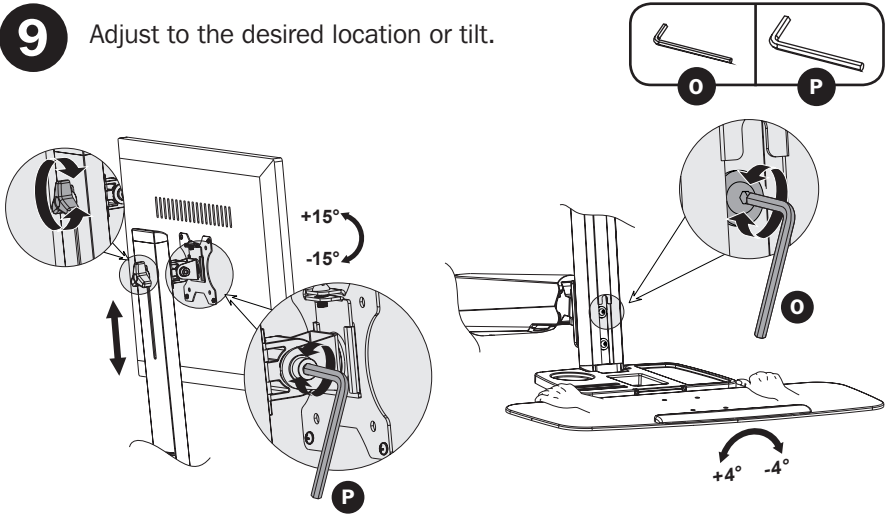
Keep the bracket arm level during tension adjustment. You may need to slightly loosen or tighten the adjustment screw using the provided 6 mm Hex Key, depending on the weight of display installed.

If display settles on its own, rotate adjustment screw towards the "+" symbol.

If display rises on its own, rotate adjustment screw towards the "-" symbol.

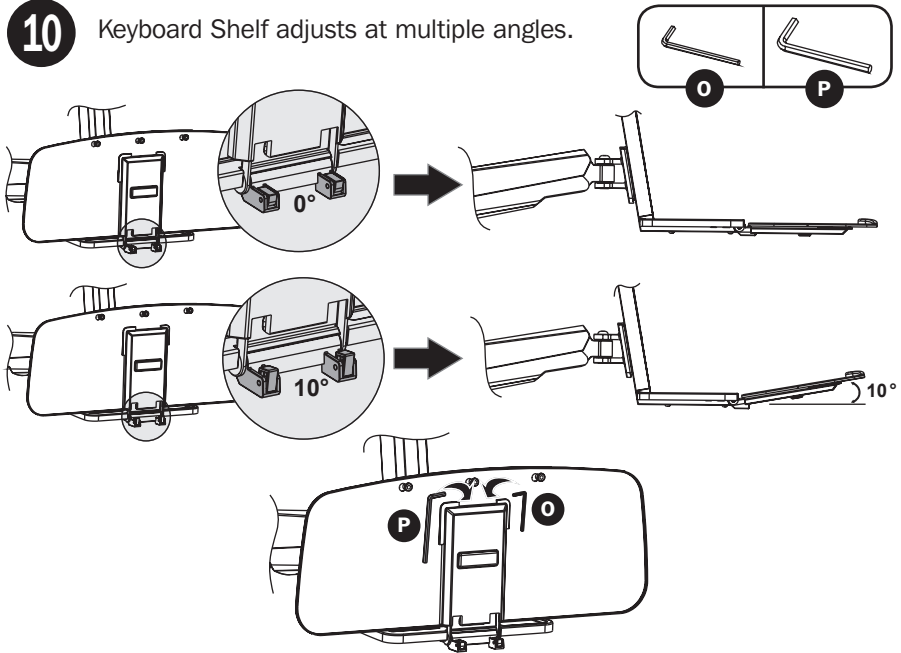
## Assembly

**9** Adjust to the desired location or tilt.



To correct the tilting angle, tighten the adjustment screws using the provided Hex Keys (or tighten the knob).

**10** Keyboard Shelf adjusts at multiple angles.



## Assembly

### Maintenance

- Check that the bracket is secure and safe to use at regular intervals (at least every three months).
- Please visit [www.tripplite.com/support](http://www.tripplite.com/support) if you have any questions.

## Warranty and Product Registration

### 5-Year Limited Warranty

Seller warrants this product, if used in accordance with all applicable instructions, to be free from original defects in material and workmanship for a period of 5 years from the date of initial purchase. If the product should prove defective in material or workmanship within that period, Seller will repair or replace the product, in its sole discretion.

THIS WARRANTY DOES NOT APPLY TO NORMAL WEAR OR TO DAMAGE RESULTING FROM ACCIDENT, MISUSE, ABUSE OR NEGLIGENCE. SELLER MAKES NO EXPRESS WARRANTIES OTHER THAN THE WARRANTY EXPRESSLY SET FORTH HEREIN. EXCEPT TO THE EXTENT PROHIBITED BY APPLICABLE LAW, ALL IMPLIED WARRANTIES, INCLUDING ALL WARRANTIES OF MERCHANTABILITY OR FITNESS, ARE LIMITED IN DURATION TO THE WARRANTY PERIOD SET FORTH ABOVE; AND THIS WARRANTY EXPRESSLY EXCLUDES ALL INCIDENTAL AND CONSEQUENTIAL DAMAGES. (Some states do not allow limitations on how long an implied warranty lasts, and some states do not allow the exclusion or limitation of incidental or consequential damages, so the above limitations or exclusions may not apply to you. This warranty gives you specific legal rights, and you may have other rights which vary from jurisdiction to jurisdiction).

WARNING: The individual user should take care to determine prior to use whether this device is suitable, adequate or safe for the use intended. Since individual applications are subject to great variation, the manufacturer makes no representation or warranty as to the suitability or fitness of these devices for any specific application.

### PRODUCT REGISTRATION

Visit [www.tripplite.com/warranty](http://www.tripplite.com/warranty) today to register your new Tripp Lite product. You'll be automatically entered into a drawing for a chance to win a FREE Tripp Lite product!\* \* No purchase necessary. Void where prohibited. Some restrictions apply. See website for details.

Tripp Lite has a policy of continuous improvement. Specifications are subject to change without notice.



1111 W. 35th Street, Chicago, IL 60609 USA • [www.tripplite.com/support](http://www.tripplite.com/support)