

254 mm (10") Wall Mounting Cabinets



✓ 1.1 - 1.5 mm strong steel sheet

✓ Safety class IP20

✓ available as 6U and 9U version

✓ compact enclosure

Abstract

254 mm (10") Wall Mounting Cabinets, 6U or 9U - 312x300 mm, color grey (RAL 7035)

Features

- Safety class rating IP20
- Lockable safety glass front door, 1-point-locking
- 200° door opening angle
- 254 mm (10") profile rails mounted on the front side inside of the cabinet, galvanized
- 254 mm (10") profile rails are adjustable in depth
- Max. equipment mounting depth: approx. 260 mm
- Load capacity of 254 mm (10") profile rails: 30 kg
- Cable entry with brush strip on the top and with plastic cover on the base
- Ventilation slots for active and passive ventilation and exhausting
- Incl. installation set (screws, cage nuts, washers)
- Cabinet is completely mounted

Product Overview

The 254 mm (10") wall mounting cabinets are made of a robust steel sheet construction.

Cable entry openings on top and base side provide the best possibilities for cable management

in a compact area. With its overall compact design this enclosure is ideal for current IT and telecommunication applications, especially in narrow areas or private households.

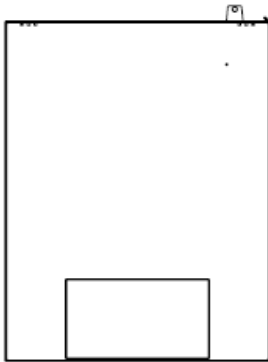
Product Number Information

Item code	Height unit (U)	Product dimensions (HxWxD) in mm
DN-10-05U-1	6U	330 x 312 x 300 mm
DN-10-06U-4	6U	330 x 312 x 400 mm
DN-10-09U	9U	464 x 312 x 300 mm

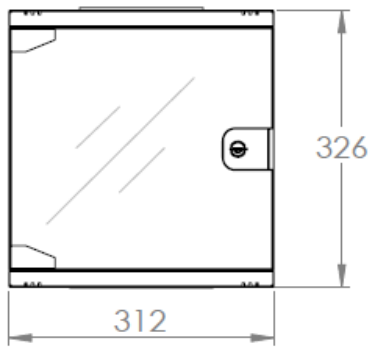
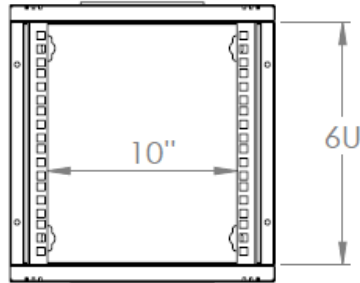
Logistic Data

Item code	Packaging dimensions (HxWxD) in mm	Net weight in kg	Gross weight in kg
DN-10-05U-1	400 x 350 x 360 mm	5.5 kg	6.5 kg
DN-10-06U-4	375 x 355 x 440 mm	6.2 kg	7.2 kg
DN-10-09U	540 x 350 x 360 mm	7.0 kg	8.5 kg

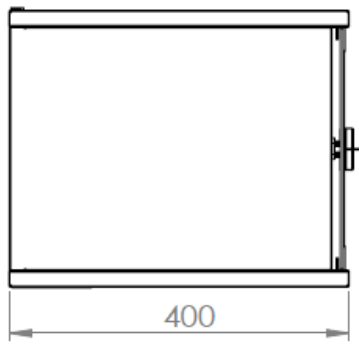
DN-10-06U-4



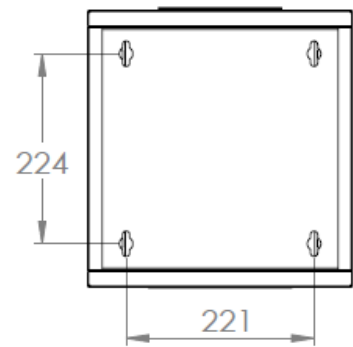
BOTTOM VIEW



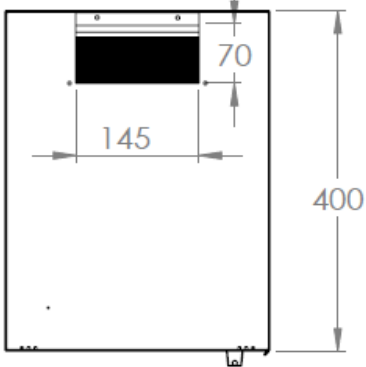
FRONT VIEW



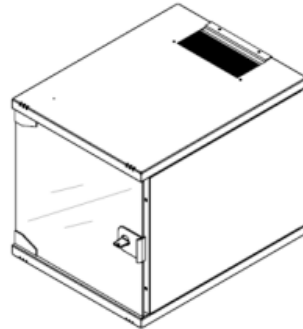
SIDE VIEW



REAR VIEW

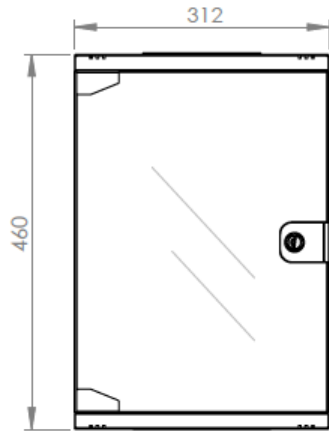


TOP VIEW

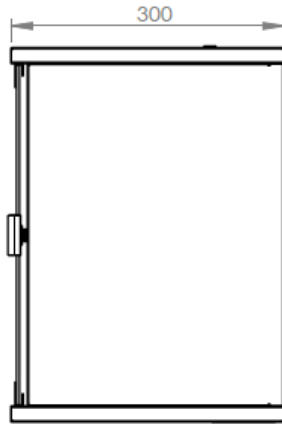


ISOMETRIC VIEW

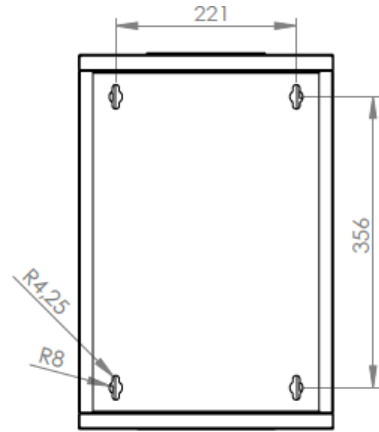
DN-10-09U



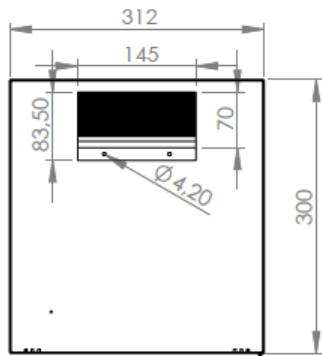
FRONT VIEW



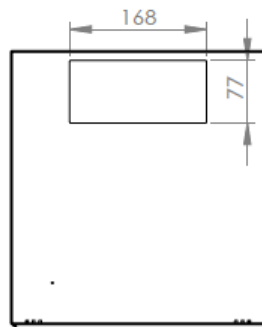
SIDE VIEW



REAR VIEW



TOP VIEW



BOTTOM VIEW