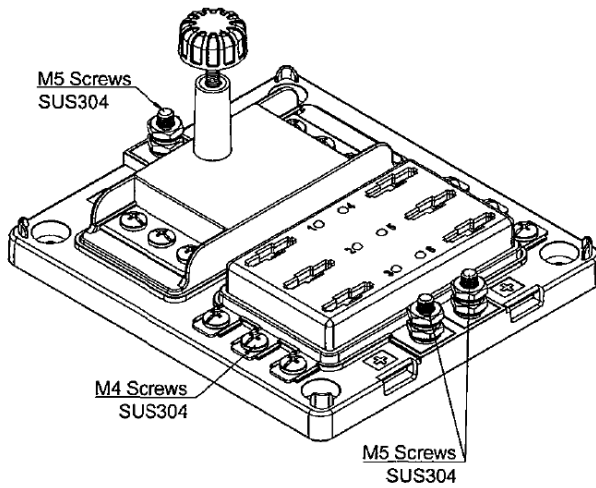
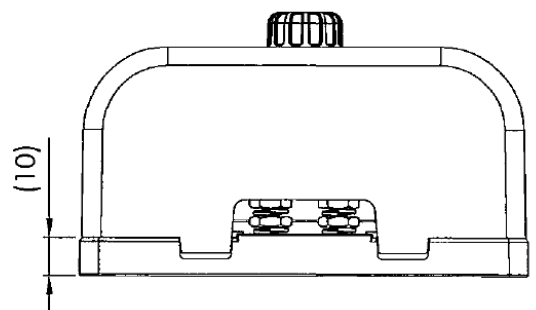
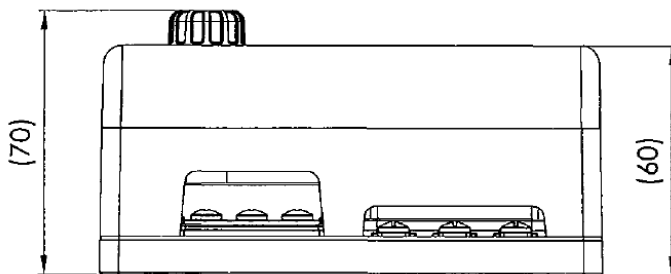
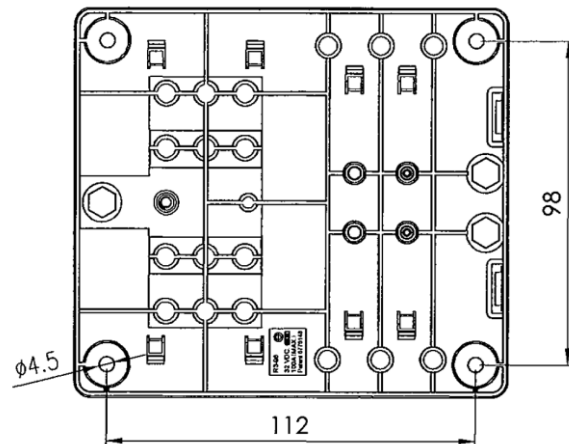
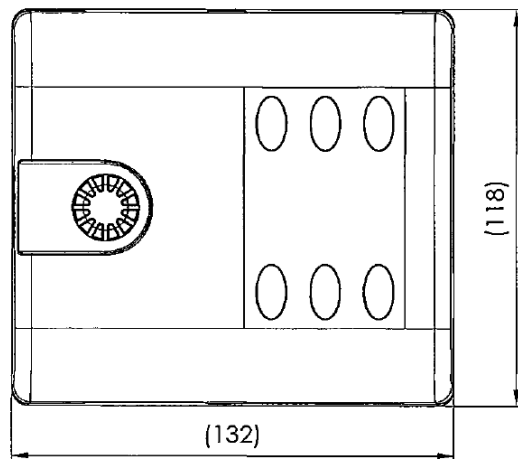


## Data Sheet



△ Material :  
Cover : PC. (Clear)  
Housing &. Base : PBT. (Black)  
Terminal : Tinned copper

NOTE:  
Rating 100A max. tested by 4 pcs. 25A load.  
Tolerance  $\pm 0.5$  except noticed



# Data Sheet

Voltage (Max.)	32 VDC.
Input Terminal Rating	M5 threaded studs (100A max.)
Output Terminal Rating	30A/30A max. load per circuit.
Connection Pad Option Available	Input wire size : #4-6 AWG.
	Output wire size : #12-16 AWG.
Fuse Specifications	For ATC Blade Fuses Used Only
Torque Rating	20 in-lb (2.25Nm) max.
Mounting Torque Rating	8 in-lb (0.9Nm) max.
Temperature Rating	-20 °C to +85 °C 