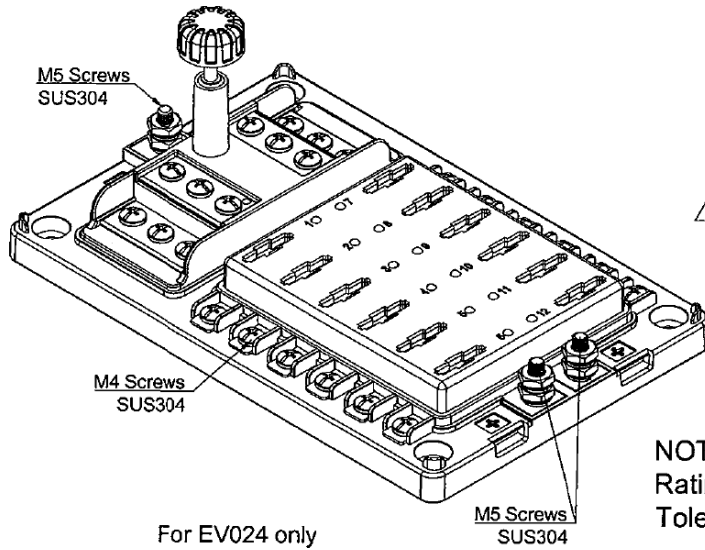
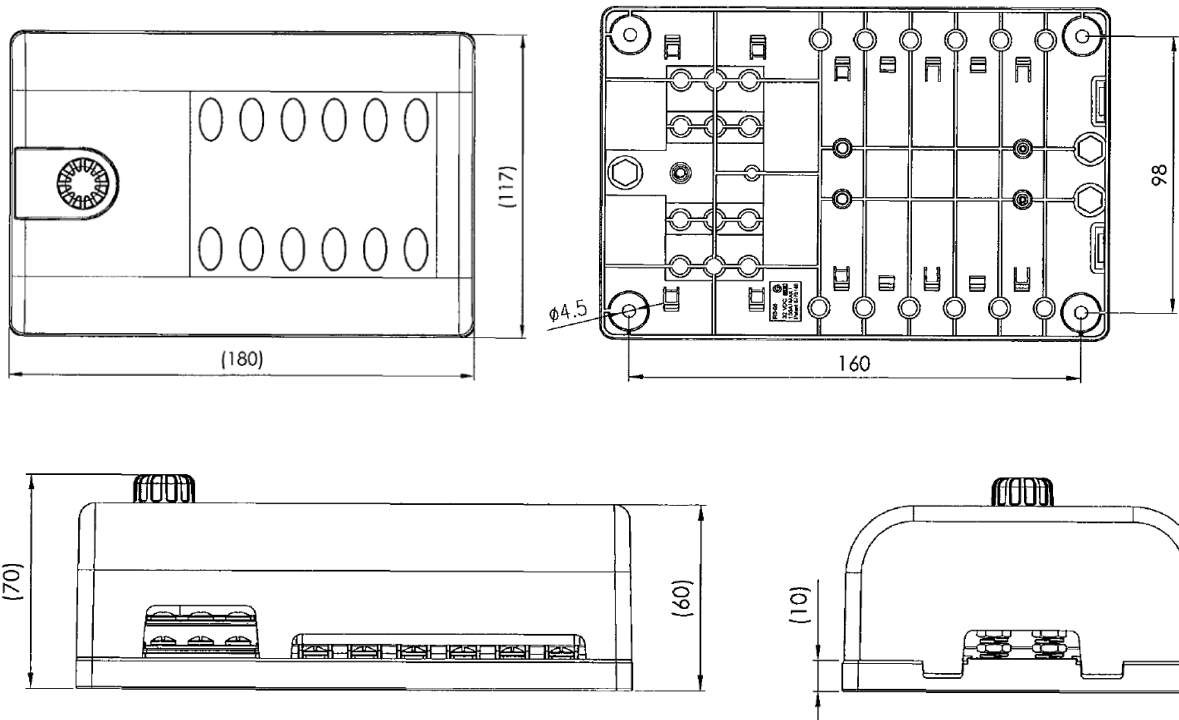


Data Sheet



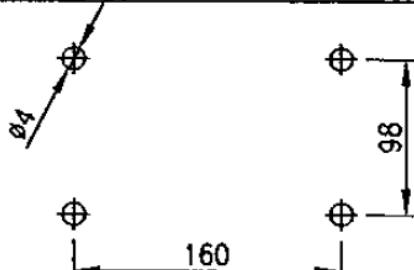
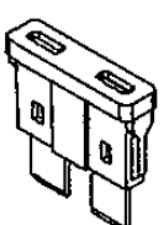

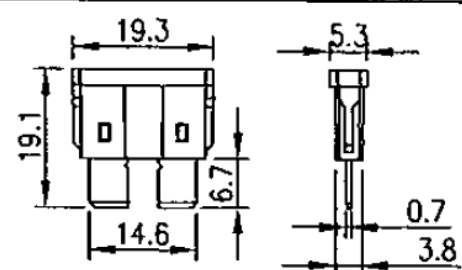
⚠ Material :
Cover : PC. (Clear)
Housing &. Base : PBT. (Black)
Terminal : Tinned copper

NOTE:
Rating 100A max. tested by 4 pcs. 25A load.
Tolerance ± 0.5 except noticed



Data Sheet

Voltage (Max.)	32 VDC.
Input Terminal Rating	M5 threaded studs (100A max.)
Output Terminal Rating	30A/30A max. load per circuit.
Connection Pad Option Available	Input wire size : #4-6 AWG.
	Output wire size : #12-16 AWG.
Fuse Specifications	For Blade Fuses Used Only
Torque Rating	20 in-lb (2.25Nm) max.
Mounting Torque Rating	8 in-lb (0.9Nm) max.
Temperature Rating	-20°C to +85°C

<p>Mounting Holes</p>	<p>ATC Blade Fuse Isometric View</p>
	
<p>Terminal Dim.</p>	<p>Blade Fuse Dim.</p>
 <p>M4 Screws</p>	

Data Sheet

