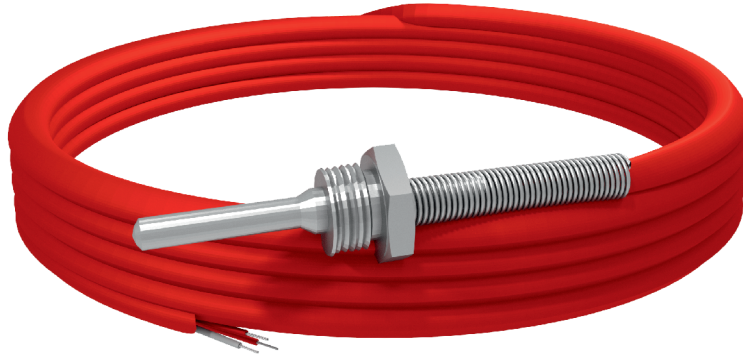
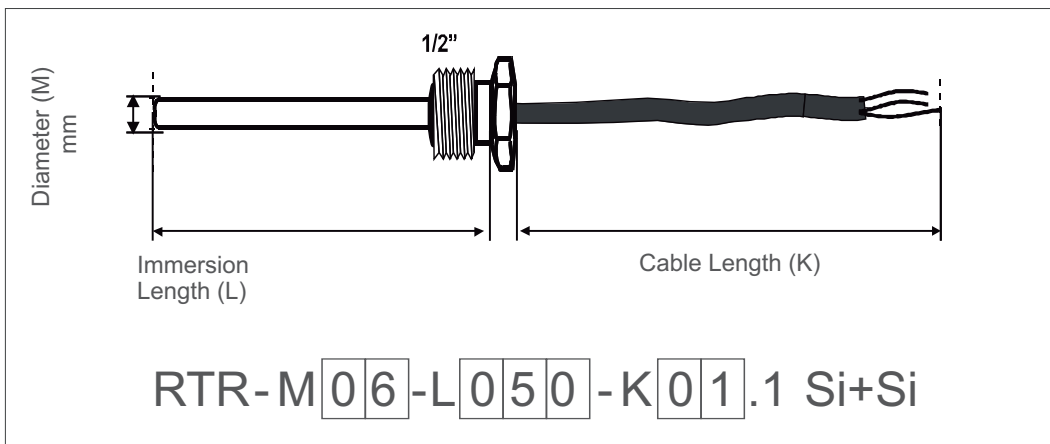


► (RTR) Bayonet Type with fittingnut  
RTR-M06-L050-K01.1 Si+Si

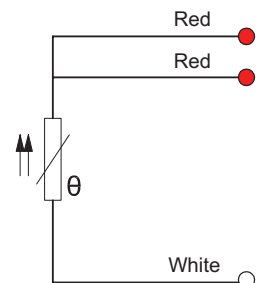


Max. operating temperature	: -50 °C / +200 °C
Standard cable types	: Silicone + Silicone
Sensor type	: DIN/EN60751 Class "B" 1xPT-100
Protection tube material	: AIS304 (DIN1.4301) Stainless Steel
Fittingnut	: Standard 1/2"

► Technical drawing



PT-100 Connections



Diameter (M)	: 6 mm
Immersion Length (L)	: 50 mm
Cable length (K)	: 1 meter