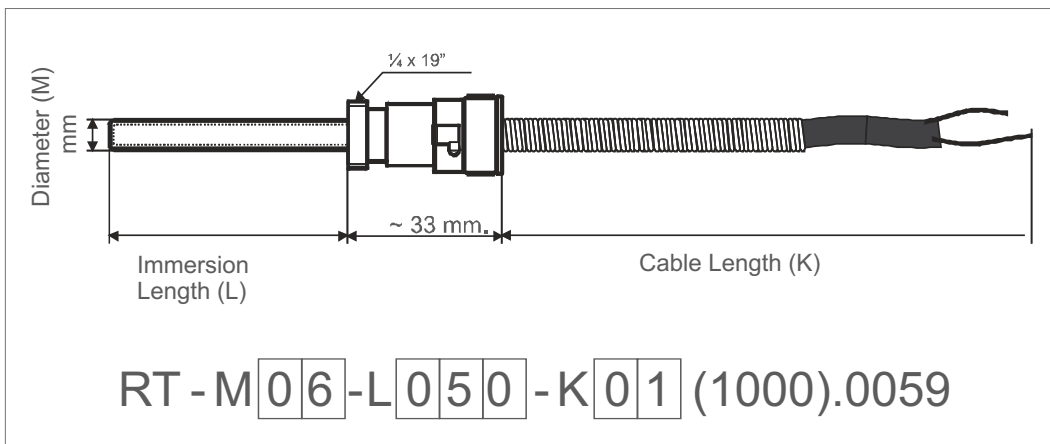


► (RT) Standard Bayonet Type
RT-M06-L050-K01(1000).0059

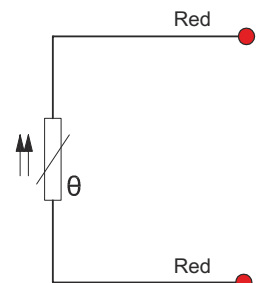


Max. operating temperature	: -50 °C / +400 °C
Standard cable types	: Fiber glass + fiber glass + braided wire
Sensor type	: DIN/EN60751 Class "B" 1xPT-1000
Protection tube material	: Nickel coated brass
Connector	: Standard 1/4 x 19"

► Technical drawing



PT-1000 Connections



Diameter (M)	: 6 mm
Immersion Length (L)	: 50 mm
Cable Length (K)	: 1 meter