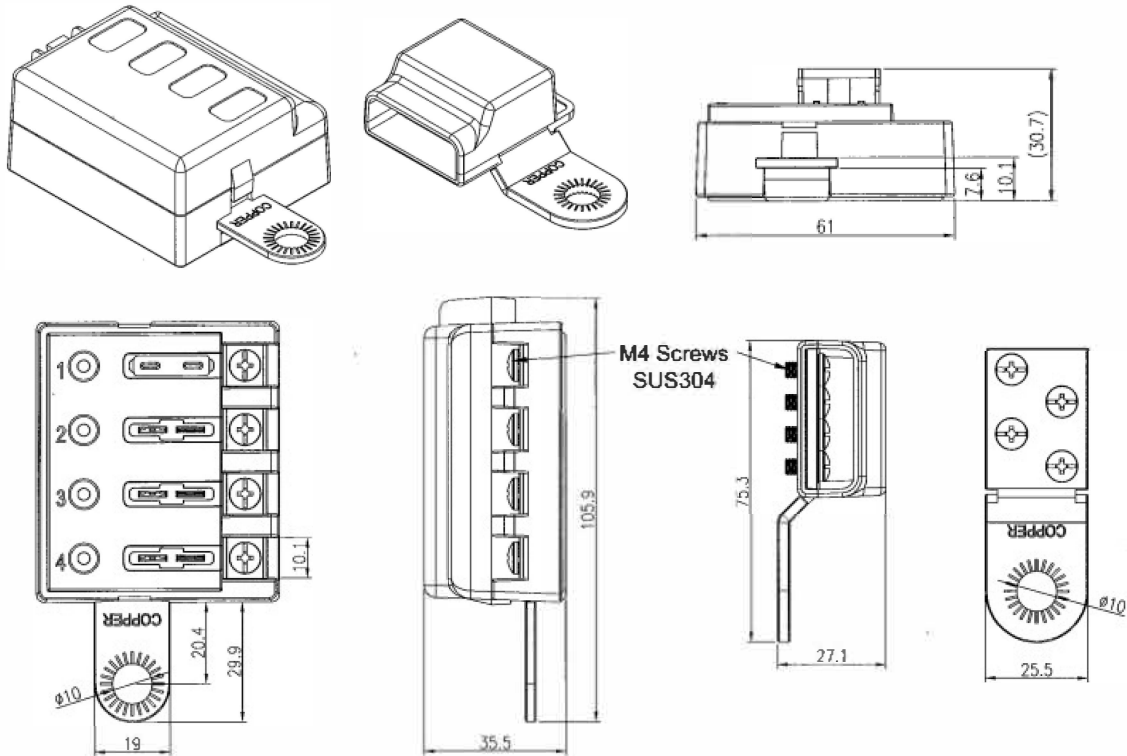
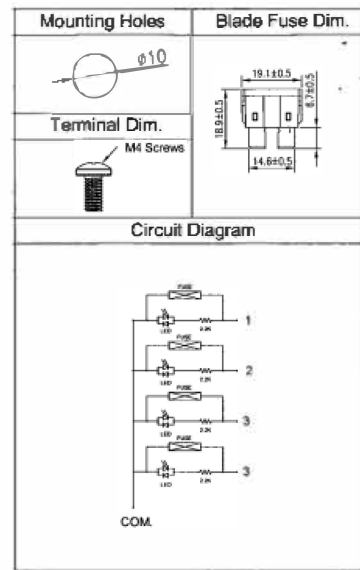
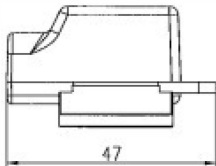


Data Sheet



Material :
 Cover : PC, Transparent
 Housing , Base : PBT, Red.
 Terminal : Tin, plating Copper

Notes :
 Rating 100A max. tested by 4 pcs. 25A load.
 Tolerance ± 1.0 except noticed



Voltage (Max.)	32 VDC.
Input Terminal Rating	$\varnothing 10$ mm threaded studs (100A max. tested by 4 pcs. 25A load.)
Output Terminal Rating	30A max. per circuit.
Connection Pad Option Available	Input wire size : #4-6 AWG. Output wire size : #12-16 AWG.
Fuse Specifications	For Blade Fuses Used Only
Torque Rating	20 in-lb (2.25Nm) max.
Mounting Torque Rating	8 in-lb (0.9Nm) max.
Temperature Rating	-20 °C to 85 °C