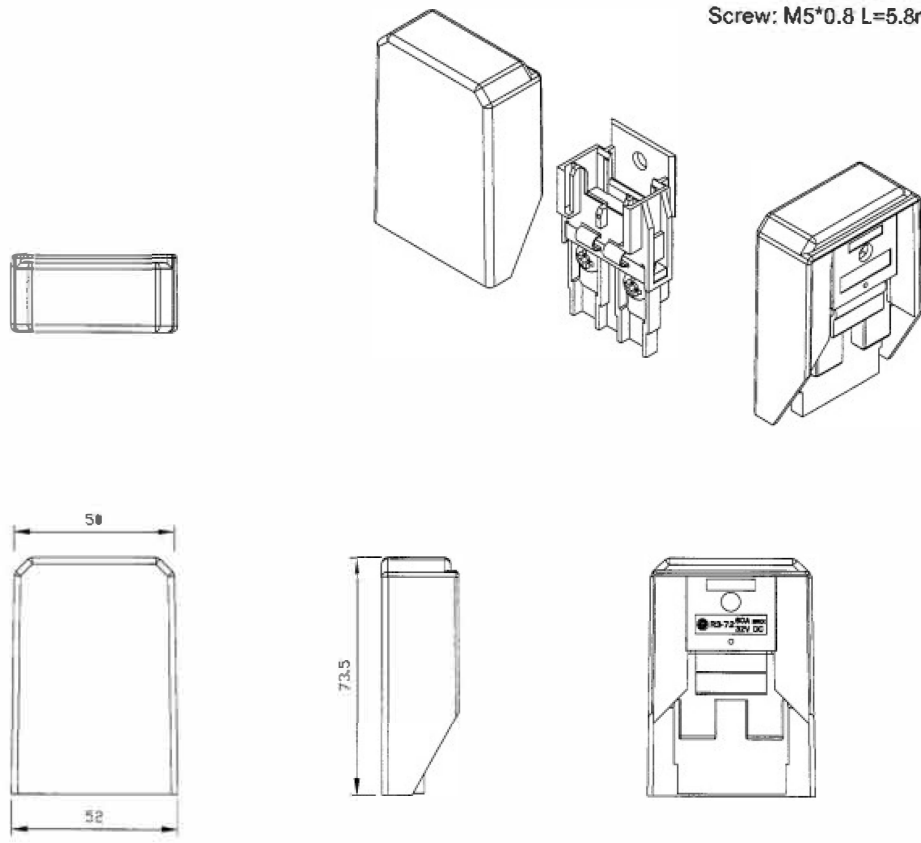


Data Sheet

Rating	60A max 12/24/32VDC	MAXI Fuse Rating	
		Fuse Rating (colors)	Wire AWG
Insulation Resistance	DC 500V 100M ohm Min.	20A (Yellow)	12AWG
Dielectric Strength	AC 1000V 1 minute	30A (Green)	10AWG
Operation Temperature	-25°~85°	40A (Orange)	8AWG
		50A (Red)	8AWG
Fuse Type	MAXI FUSE	60A (Blue)	6AWG

Material:
 Frame: Nylon 66 FR7025, Black
 Cover: PP#366
 Terminal: Copper
 Nut: Nickel plated metal
 Screw: M5*0.8 L=5.8mm



Tolerances Unless Otherwise Specified ±0.5