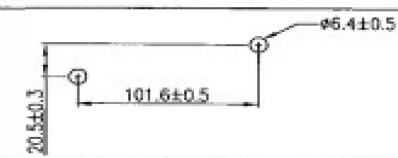
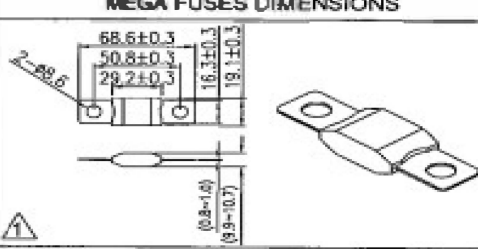
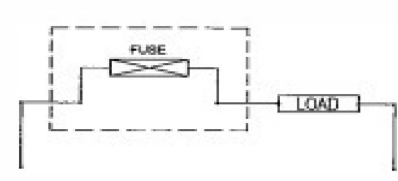
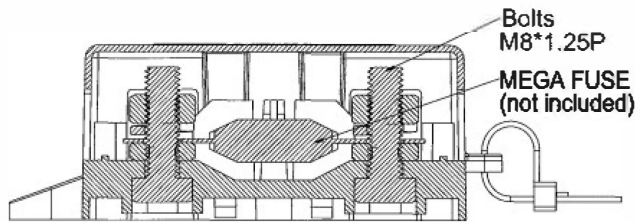
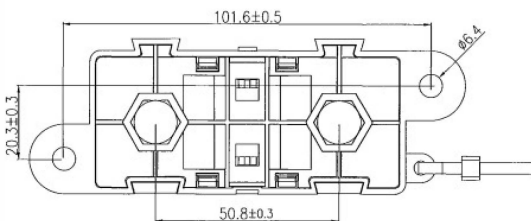
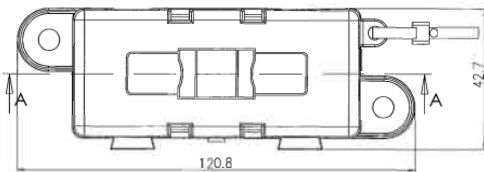
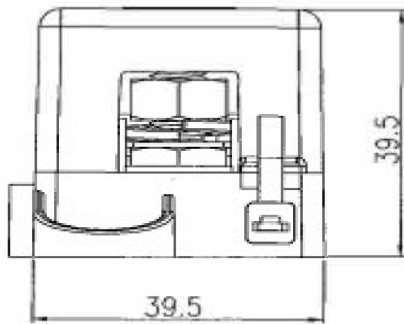
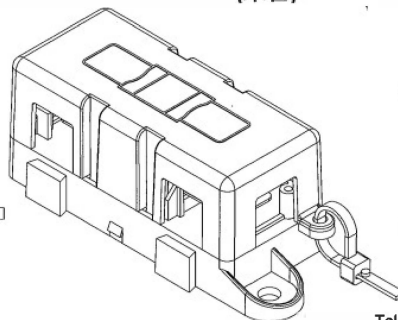


Data Sheet

SPECIFICATIONS		MOUNTING HOLES DIMENSIONS
Voltage (Max.)	32 VDC.	
Current Rating	From 40A ~ 275A (Max.)	
Termination	M8 threaded studs and hex nuts for fuse mounting	
Fuse Specifications	For Use with MEGA fuses	MEGA FUSES DIMENSIONS
Torque Rating	20 in-lb (2.25Nm) max.	
Mounting Torque Rating	12~18Nm max. M8 screws with washers (recommended)	
Temperature Rating	-40 °C to 125 °C	
		Circuit Diagram
		



MEGA保險絲 (未含)



Material :
 Cover : Nylon-66 (Black)
 Housing : PBT. (Black)
 Screw : Ni.-Plated Steel studs

Notes :
 Fuse not included.

Tolerances Unless Otherwise Specified ±0.5