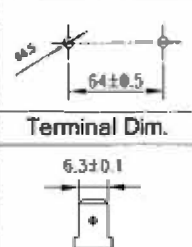
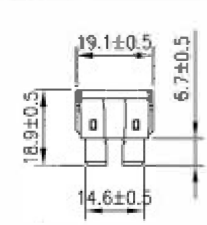
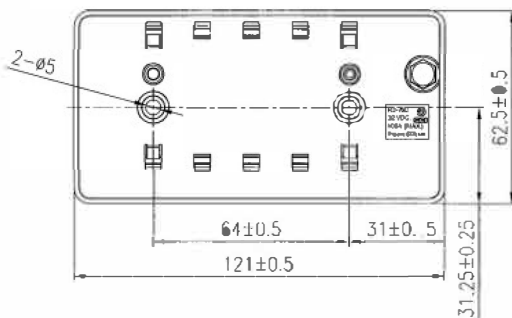
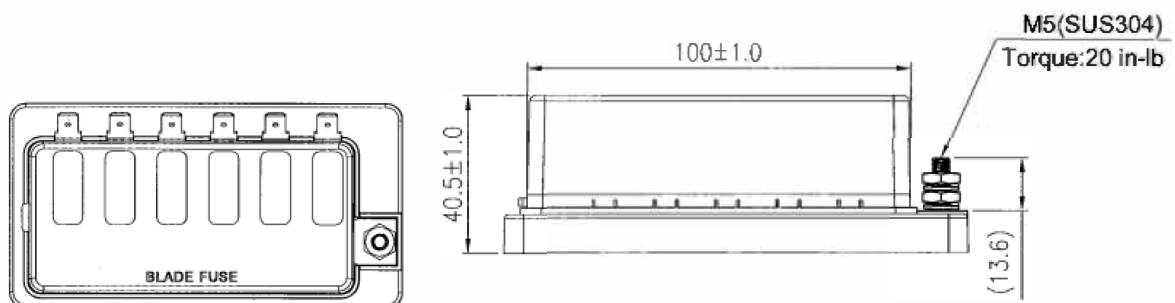
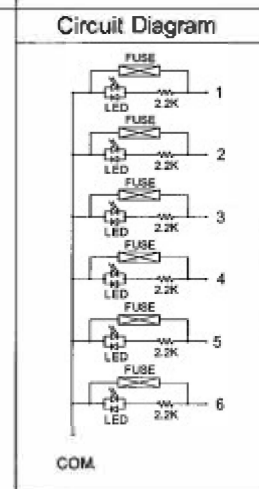
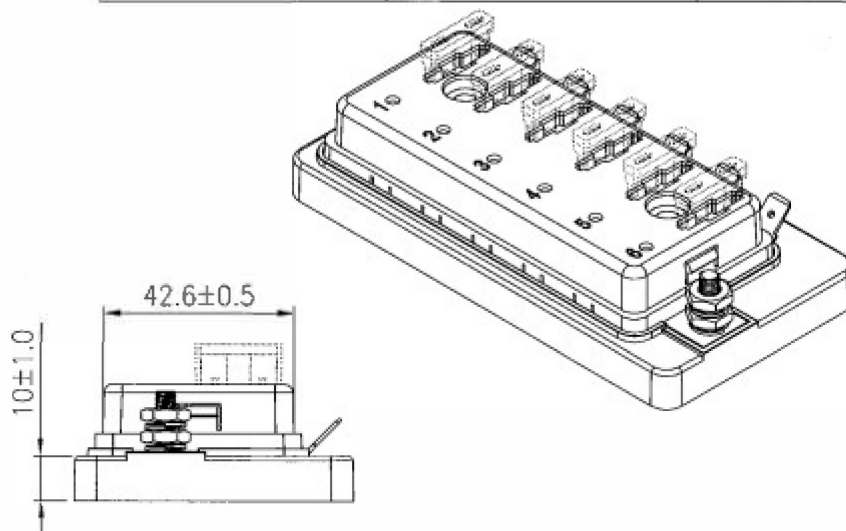


Data Sheet

Voltage (Max.)	32 VDC (15 VDC).	Mounting Holes	Blade Fuse Dim.
Input Terminal Rating	M5 threaded studs (100A max.)		
Output Terminal Rating	30A max. per circuit.		
Connection Pad Option Available	Input wire size : #4-6 AWG. Output wire size : #12-16 AWG.	Terminal Dim.	
Fuse Specifications	For Blade Fuses Used Only		
Torque Rating	20 in-lb (2.25Nm) max.		
Temperature Rating	-20 °C to 85 °C		



Material :
 Cover : PC. (Transparent)
 Housing , Base : PBT. (Black)
 Push Button : POM. (White)
 Terminal : Tinned copper

Notes :
 1. Rating 100A max. tested by 4 pcs. 25A load.
 2. Tolerance ±1.0 except noticed