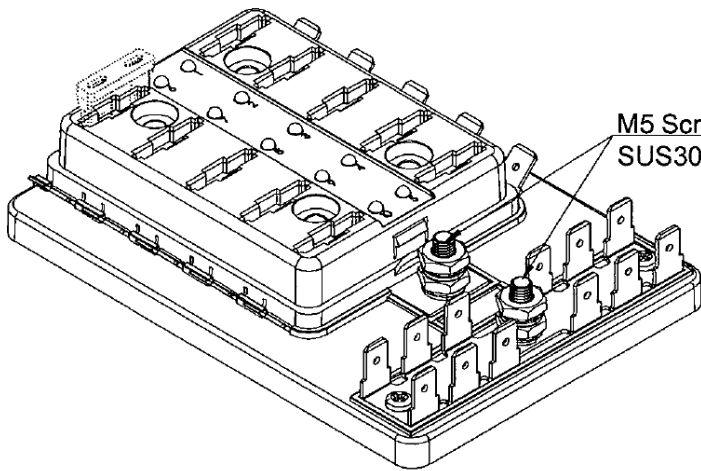
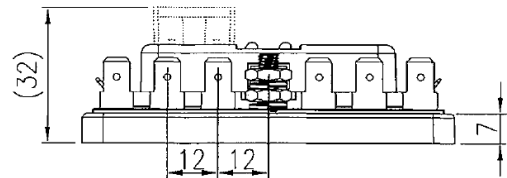
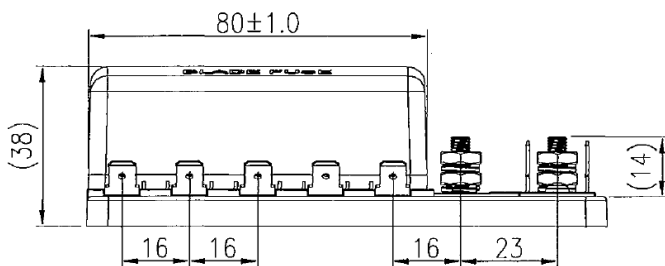
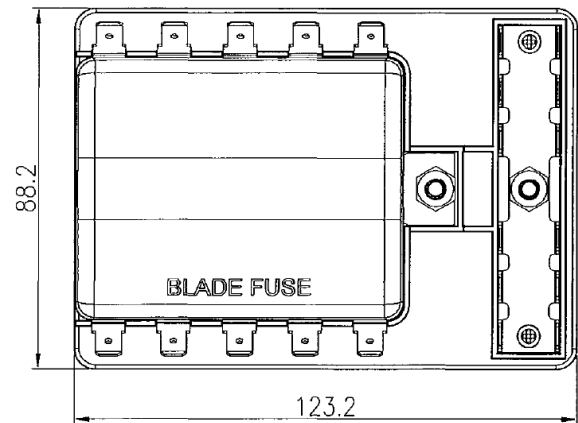
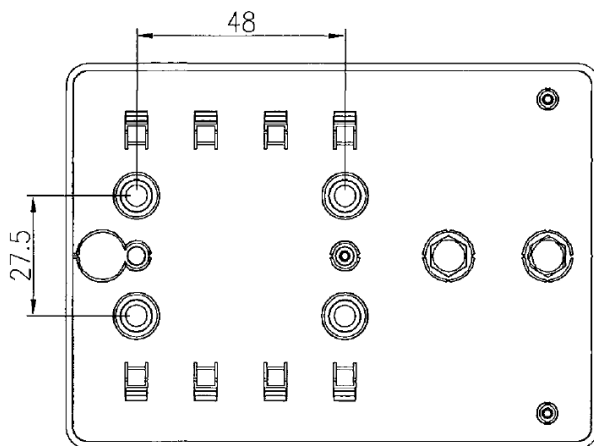


Data Sheet



Material :
Cover : PC. (Transparent)
Housing , Base : PBT. (Black)
Push Button : POM. (White)
Terminal : Tin. plating Copper

NOTE:
Rating 100A max. tested by 4 pcs. 25A load.
Tolerance $\pm 1.0\text{mm}$ except noticed



Data Sheet

Voltage (Max.)	32 VDC.
Input Terminal Rating	M5 threaded studs (100A max.) (100A max. tested by 4 pcs. 25A. load.)
Output Terminal Rating	30A max. per circuit.
Connection Pad Option Available	Input wire size : #4-6 AWG. Output wire size : #12-16 AWG.
Fuse Specifications	For Blade Fuses Used Only
Torque Rating	20 in-lb (2.25Nm) max.
Mounting Torque Rating	8 in-lb (0.9Nm) max.
Temperature Rating	-20 °C to 85 °C

