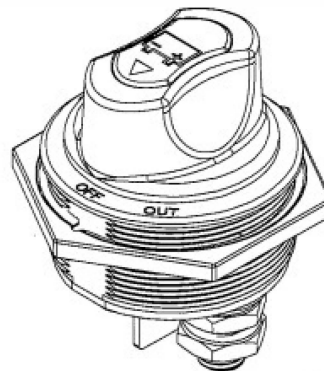
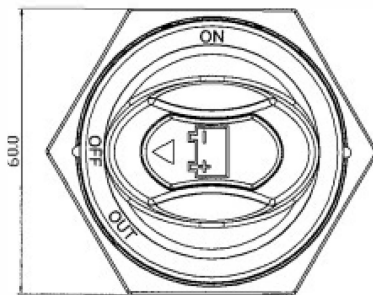


# Data Sheet

Continuous Rating	300Amps 32VDC Max.		Circuit Diagram	
Intermittent Rating	450 Amps		OFF	ON
Cranking Rating	1000 Amps 30 seconds			
Contact Resistance	50m ohm Max			
Insulation Resistance	DC 500V 100M ohm Min			
Dielectric Strength	AC 1000V 1 minute, DC 2000V 1 minute			
Operation Temperature	-30°C~+60°C			
Switch Function	2P SPST OFF-ON			

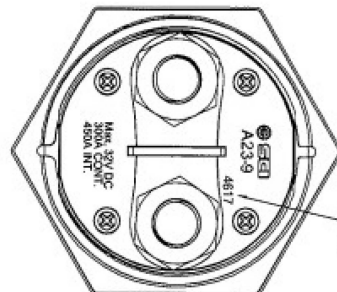
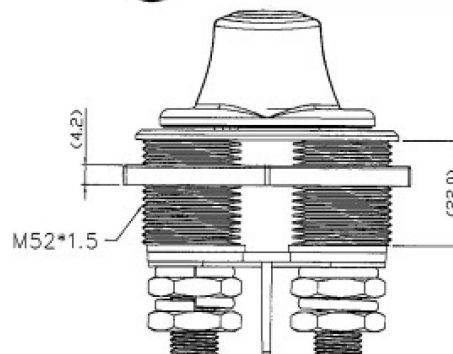
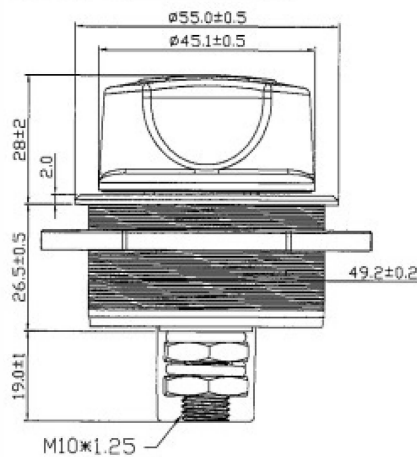
Actuator can be taken out



**\*MATERIAL:**  
 Housing: Black, PBT+15%GF with White hot stamping  
 Actuator: Red, PBT+15%GF  
 Name Plate: White, ABS with Black hot stamping  
 Bottom: Black, PBT+15%GF  
 Nut: Steel  
 Bolt: Copper  
 Hex Nut: Ni-plated, Brass

\*Ingress Protection: IP56 for panel seal

1 NUT ASSY



Date code (WWYY)

**Note:**

1. Tolerance is  $\pm 0.5\text{mm}$  (0.02") unless otherwise noted.
2. Actuator could be taken out at identified position.
3. Actuator must be pushed down when it turned from out position to off position.

C3WORK14A23-9B