
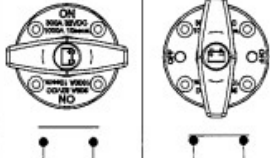

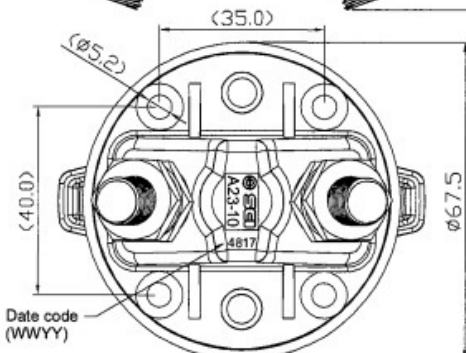
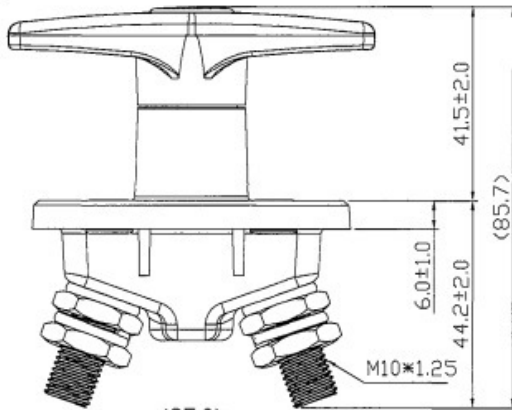
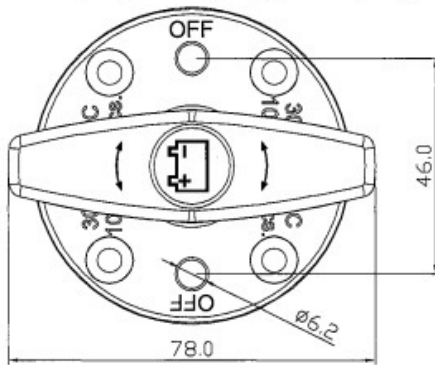


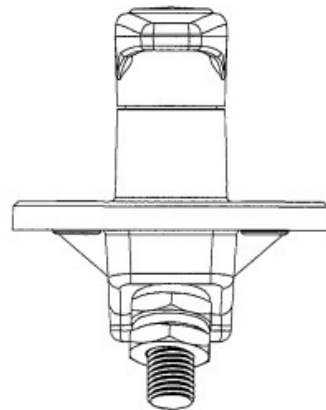
Data Sheet

Continuous Rating	300 Amps 32VDC Max.	Key out	Circuit Diagram	
Intermittent Rating	450 Amps	 <p>OFF POSITION</p>	OFF	ON
Cranking Rating	1000 Amps 10 seconds			
Contact Resistance	50m ohm Max			
Insulation Resistance	DC 500V 100M ohm Min			
Dielectric Strength	AC 1000V 1 minute, DC 2000V 1minute			
Operation Temperature	-30°C~+60°C			
Switch Function	2P SPST OFF-ON			



***MATERIAL:**
 Housing: Black, PBT+15%GF with White hot stamping
 Actuator: Red, PBT+15%GF with White painting
 Bottom: Black, PBT+15%GF
 Bolt: Copper
 Hex Nut: Ni-plated, Brass

*Actuator can be taken out
 *Ingress Protection: IP67 for panel seal



tolerances Unless otherwise specified ±0.5

C3WORK14A23-10