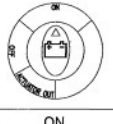
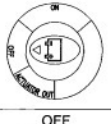

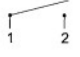
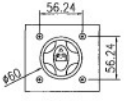
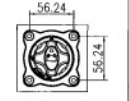


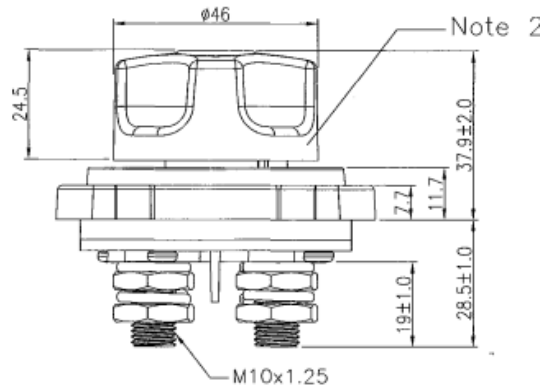
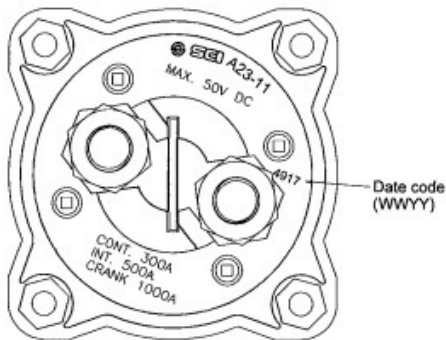
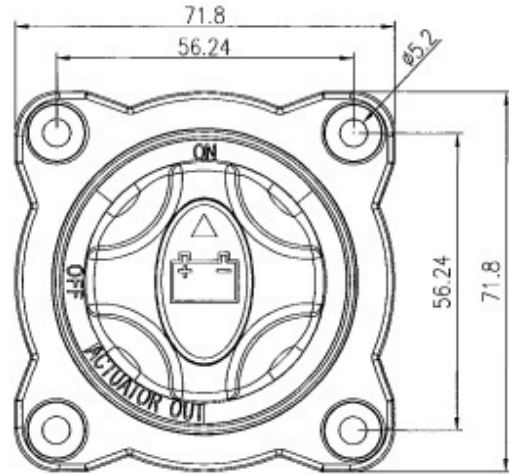
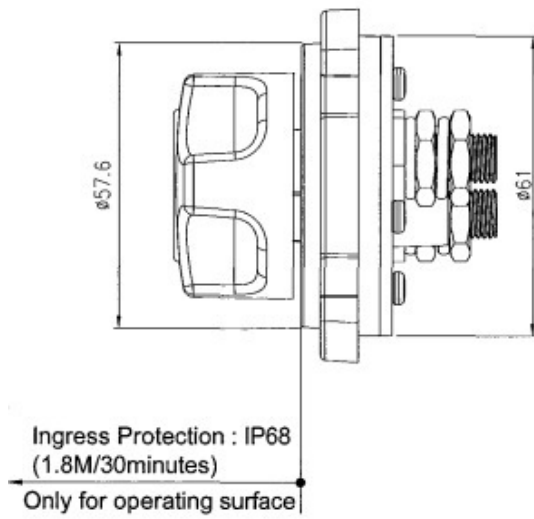



Data Sheet

Continuous Rating	300 Amps 50VDC Max.	Mounting Hole		Actions Diagram			Circuit Diagram
Intermittent Rating	500 Amps	A	B				
Cranking Rating	1000 Amps 30 sec.			ON	OFF	Actuator out	
Contact Resistance	50m ohm Max.						
Insulation Resistance	DC 1000V 100M ohm Min.						
Dielectric Strength	DC 2000V 1 minute AC 1000V 1 minute						
Operation Temperature	-20°C~80°C						
Switch Function	ON/OFF/SEPARATE						
Actuation Force	9±3 Kgf-cm						



Material:
Actuator color : PC/ABS 
Housing, Cover are PBT (UL flame: 94V-0)

Contact, Screw are copper alloy.
Nut are nickel plated brass.

Note:
1. Tolerance is ±0.5mm (0.02") unless otherwise noted.
2. Actuator could be taken out at identified position.
3. ACTUATOR OUT => OFF needs under the strength to press revolving.