

Country of Origin : China
 Operating Temperature : 0~40 [°C]
 Dimension : 63.6 x 29.5 x 45.6 [mm]
 Efficiency level (ErP) : VI



Approvals / Marks :



Specifications

Basic Models	Voltage DC [V]	Loading [A]	Max. Power [W]	Ripple / Noise [mV] p-p	Connector [mm]
SYS1381N-1205-Wxx	5	0~2.4	12	150	2.1x5.5x11
SYS1381N-1206-Wxx	6	0~2.0	12	150	2.1x5.5x11
SYS1381N-1207-Wxx	7,5	0~1.6	12	150	2.1x5.5x11
SYS1381N-1209-Wxx	9	0~1.33	12	150	2.1x5.5x11
SYS1381N-1212-Wxx	12	0~1.0	12	150	2.1x5.5x11
SYS1381N-1215-Wxx	15	0~0.8	12	180	2.1x5.5x11
SYS1381N-1218-Wxx	18	0~0.66	12	200	2.1x5.5x11
SYS1381N-1224-Wxx	24	0~0.5	12	250	2.1x5.5x11

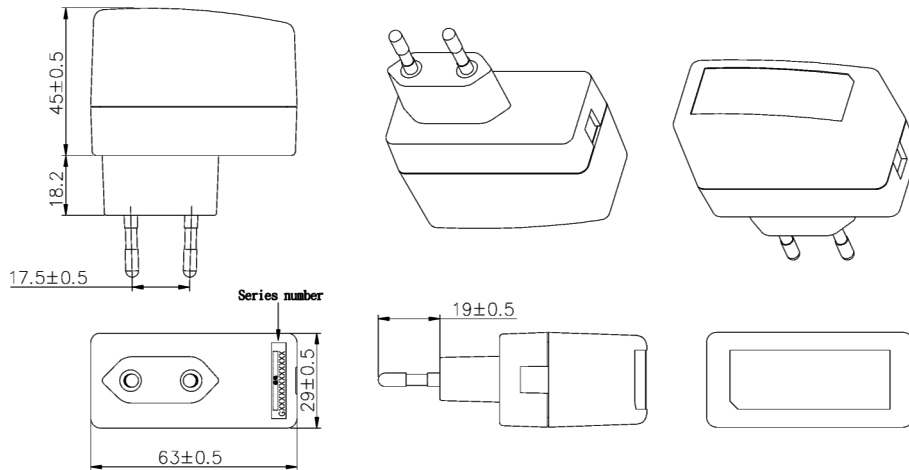
Features:

Certified plugs Wxx = W2E - Europe | W3U - England | W2 - USA, Canada, Japan, Taiwan | W2A - Australia | W2C - China

For all models, the minimum rising step of output voltage is 0.1V - 4.0V~24V 12W max | Private Label Marking Available | 2 Years Warranty

OUTPUT		CE	
Turn delay	5000ms max@AC low line input@output full load	EMC	2014/30/EU
Hold up time	10ms min@AC nominal input@output full load	LVD	2014/35/EU EN 60950-1:2006+A11+A1+A12+A2 EN 62368-1
Efficiency (Normal)	>79.94% min. Eff= 0.071 x ln(Po/1W) - 0.0014 x Po/1W + 0.67 Directive EU 2019/1782	SAFETY	
Transient response (dv,tmax)	0.3V dv max at AC nominal input loading from 50% load to max load or peak load. 16ms tmax Dynamic rise time 10 us max,duty 40ms max,Dynamic load step is slow rate of 0.5A/us	CE CB TUV/GS	
Burn in limit	Ambient temp: 35C+-3%; 80% load; input voltage 230V; 2 hours.	OTHERS	
Power consumption	0.1W max. At AC nominal input@output min load	Dielectric Strength (Hi-pot)	HI-POT B / IEC 320 2pin primary to secondary 4000Vdc 10mA 1min
INPUT		M.T.B.F	500,000 Calculated Hours at 25°C, by Telcordia SR-332
Voltage	(90~264)VAC	Cable Length	1370mm (4.5 feet) standard cable or as required
Frequency	(47~63)hz	PLD (power line disturbance)	Line power surge Line voltage SAG-more info on request
Current	0.5A rms@AC low line input and DC output full load	Cooling method	Natural Convection Cooling
Inrush Surge Current (cold start)	40/60A max@power supply cold start,ambient temperature 25°C @115Vac/230Vac nominal AC input	Housing material	PC
leakage current	0.25 mA max	Temperature coefficient:	< ±0.5% / °C
PROTECTION		ENVIRONMENT	
Over current/ Short protection	The power supply will self-protect any output to ground, And auto recovery when abnormal circuit faults remove. An output short circuit is defined as any output impedance of less than 0.1 ohms.	Temperature	Operating: 0~40°C / Storage: -20~85°C
Over Voltage	The power supply will not be auto recovered when faults remove 110%-150%. (Voltage limit)	Humidity	Operating: 8%~90%RH / Storage: 5%~95% RH non condensing
Input protection	F1:1A /250V Fuse. The power supply shall be protected against power line surges and any abnormal condition	WEIGHT	
No Load protection	The power supply is provided with no load operation to prevent the power supply and system from damage.	NW: 69 g/pc (without plugs) + W2E plug 24g; W3U plug 19g; W2 plug 13g; W2A plug 13g	
Protection class	II	GW: 89 g/pc (without plugs)	
		PACKING	
		Box	100 pcs/1 box

Mechanical case specification:



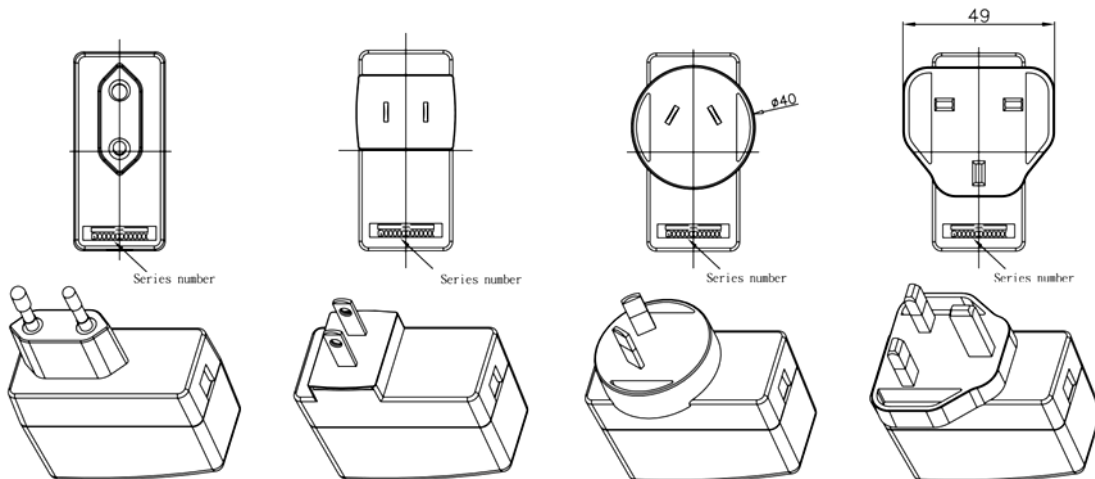
Mechanical specification (country housing):

Europe / Korea type (W2E/W2K)

US / Canada type (W2)

Australia type (W2A)

UK type (W3U)



Cable specification:

a) 2.1*5.5*11 (2468#22*2C / 5FT)

