

Country of Origin : China
 Operating Temperature : 0~40[°C]
 Dimension : 68 × 42 × 29 [mm]
 Efficiency level (ErP) : VI



Approvals / Marks :



Specifications

Basic Models	Voltage DC [4.0V~24V]	Loading [A]	Max. Power [W]	Ripple / Noise [mV] p-p	Connector [mm]
SYS1121-0605-Wxx	5	0~1.2	6	200	2.1x5.5x11
SYS1121-0606-Wxx	6	0~1.0	6	200	2.1x5.5x11
SYS1121-06075-Wxx	7,5	0~0.8	6	200	2.1x5.5x11
SYS1121-0609-Wxx	9	0~0.66	6	200	2.1x5.5x11
SYS1121-0612-Wxx	12	0~0.5	6	200	2.1x5.5x11
SYS1121-0615-Wxx	15	0~0.4	6	200	2.1x5.5x11
SYS1121-0618-Wxx	18	0~0.33	6	200	2.1x5.5x11
SYS1121-0624-Wxx	24	0~0.25	6	200	2.1x5.5x11

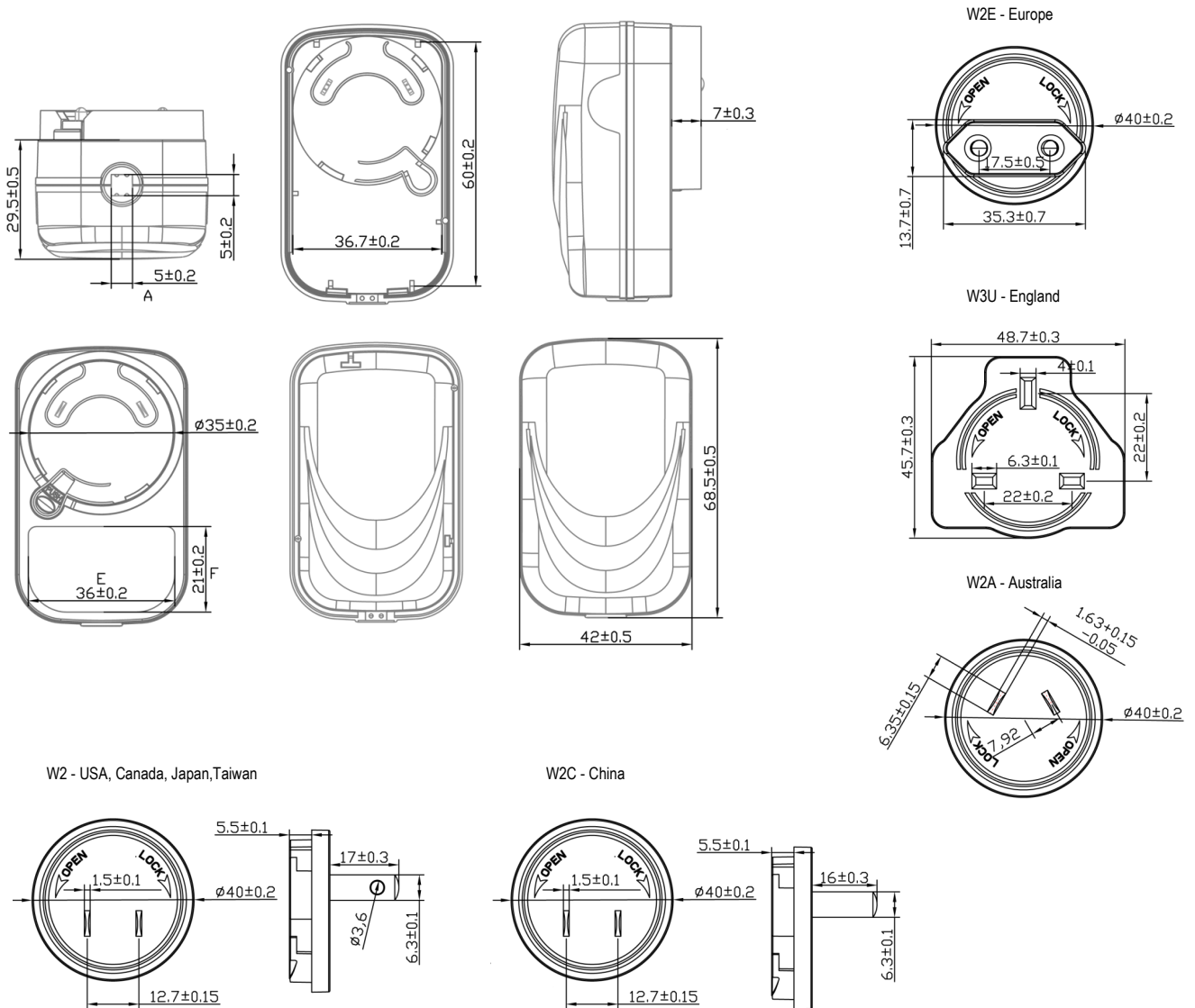
Features:

Certified plugs Wxx = W2E - Europe | W3U - England | W2 - USA, Canada, Japan, Taiwan | W2A - Australia | W2C - China

For all models, the minimum rising step of output voltage is 0.1V - 4.0V~24V 6W max | Private Label Marking Available | 2 Years Warranty

OUTPUT		CE	
Turn delay	3000ms max@AC low line input@output full load	EMC	2014/30/EU
Hold up time	8ms min@AC nominal input@output full load	LVD	2014/35/EU EN 60950-1:2006+A11+A1+A12+A2 EN 62368-1
Efficiency (Normal)	Meet DOE level VI	SAFETY	
Burn in limit	220VAC 80% Load (Ref) 4 hours & 40°C + 5°C -0°C	cUL FCC GS CE CB RCM PSE CCC T-license	
Power consumption	0.1W max. At AC nominal input@output min load	OTHERS	
INPUT		Dielectric Strength	I/P-O/P:3000VAC
Voltage	(90~264)VAC	M.T.B.F	500,000 Calculated Hours at 25°C, by Telcordia SR-332
Frequency	(47~63)hz	Cable Length	1370mm (4.5 feet) standard cable or as required
Current	0.5A rms@AC low line input and DC output full load	Cooling method	Natural Convection Cooling
Inrush Surge Current (cold start)	40/60A max@power supply cold start, ambient temperature 25°C @115Vac/230Vac nominal AC input	Housing material	PC
leakage current	< 5 mA max	Temperature coefficient:	< ±0.5% / °C
PROTECTION		ENVIRONMENT	
Over current/ Short protection	The power supply will be auto recovered when over current or short circuit faults remove (fold back). Is defined as any output impedance of less than 0.1Ω. The power supply will be auto	Temperature	Operating: 0~40°C / Storage: -20~85°C
Over Voltage	The power supply will not be auto recovered when faults remove	Humidity	Operating: 8%~90%RH / Storage: 5%~95% RH non condensing
Input protection	F1:1A 250V Fuse The power supply shall be protected against	WEIGHT	
No Load protection	The power supply is provided with no load operation to prevent	NW: 69 g/pc (without plugs) + W2E plug 24g; W3U plug 19g; W2 plug 13g; W2A plug 13g	
Protection class	II	GW: 89 g/pc (without plugs)	
		PACKING	
		Box	100 pcs/1 box

Mechanical specification:



Cable specification:

