



## Screw Terminal Blocks

### 500 RZ/ 4 DS

#### Order Info

reference number (ref. no.)	124304
PU	400
EAN	4028012105878



#### Type

Type	Terminal Block
connection type	screw
number of poles	4 pole
coding colour	natural
wire protection	yes

#### Electrical Data

rated voltage	450 V
rated current	24 A

#### Connection Data

cross-section rating	2.5 mm <sup>2</sup>
cross-section rating (UL)	22-10 AWG
clamping range	0.5 - 5.5 mm <sup>2</sup>
type of conductor	fine stranded, stranded, solid
stripping length	7.0 - 7.5 mm
fixing	catch pin
clamping units per pole	1
contact screw assembly	0.8 x 4.0 / $\cup$ 0.5 Nm
socket diameter	2.75 mm
pin spacing	10.0 mm
wall thickness	0.5 - 1.4 mm

#### Ambient Conditions

T <sub>max</sub> ambient air (at rated current)	85 °C
T <sub>min</sub> ambient air (operation)	-40 °C

#### Materials

insulator material	PA
contact material	brass

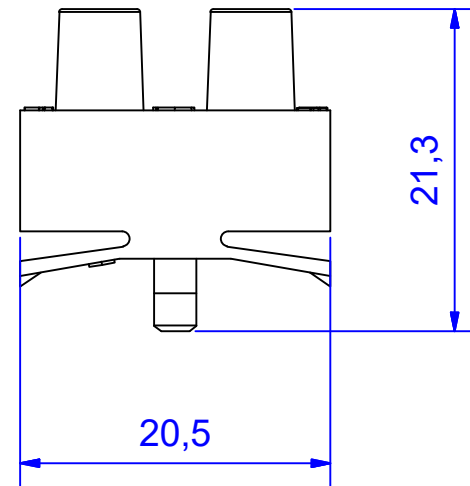
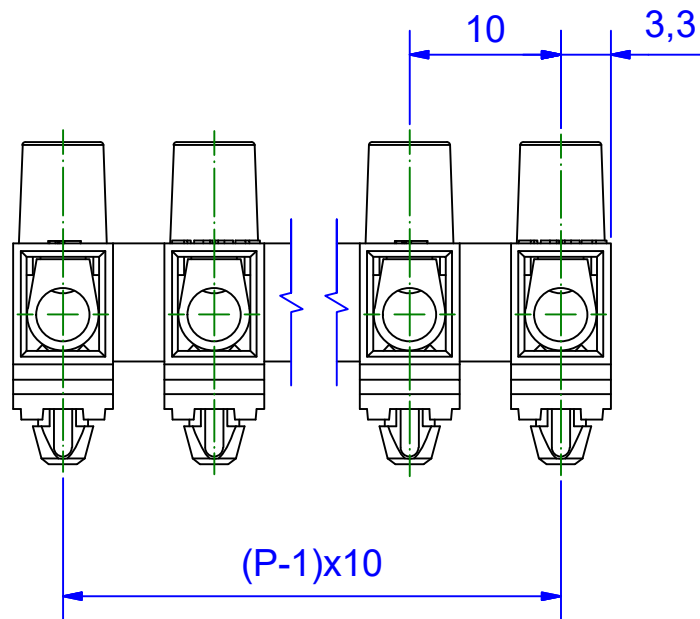
<b>flammability rating acc. to UL 94</b>	V-2
--	-----

## Approvals

<b>acc. to EN 60998</b>	yes
<b>acc. to UL</b>	yes
<b>acc. to CSA</b>	yes

## Accessories

<b>500 BZ/ 4</b>	191304
<b>500/ 3 ZEL RZ</b>	196103
<b>ABK 405/ 4</b>	193204
<b>ZEL 110</b>	196420



Dieses Dokument darf ohne unsere Genehmigung weder im Original, noch kopiert dritten Personen oder Firmen zugänglich gemacht werden.  
Neither this document nor a copy of it may be disclosed to third parties without our prior approval.

**ADELS**  
contact

500 RZ/12

K4-841-00-00

21.08.2019

Wildermuth