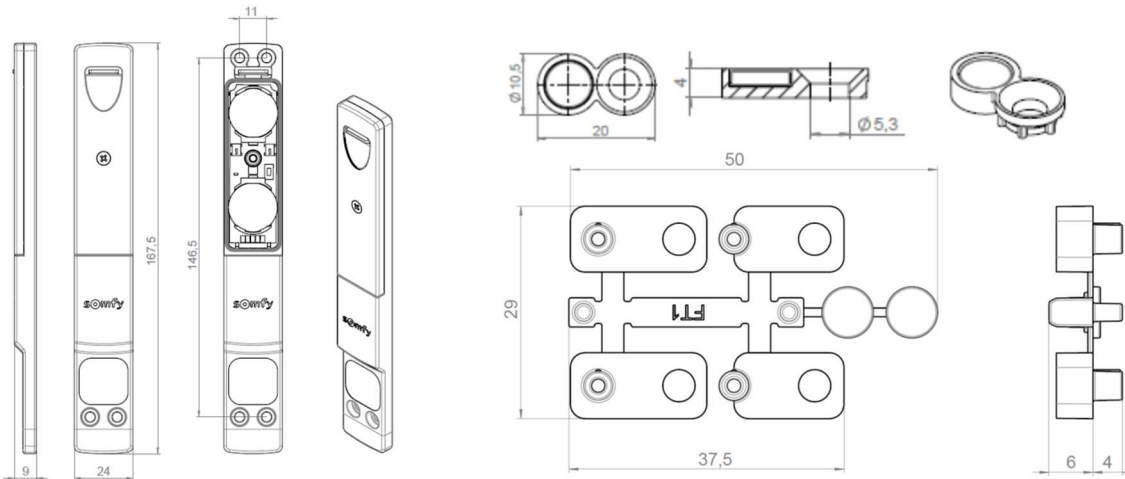


# TECHNICAL DATA SHEET

<b>DESIGNATION</b>	<b>Slim Opening Detector io</b>
<b>REFERENCE</b>	<b>1 811 638</b>
<b>RANGE</b>	<b>Home Automation Satellites</b>

## FUNCTIONS

Radio opening detector for windows and doors made of wood or pvc profiles.



## TECHNICAL SPECIFICATIONS

Material / colour	Housing	ABS / RAL 9016 like (white)
Dimensions (WxHxD)	Housing	167,5 x 9 x 24 mm
	Universal magnet	20 x 4 x 10,5 mm
Max. distance	Housing - magnet	5 mm
Battery	Voltage	3V
	Type	2 x CR2032
	Life time (at 25°C)	≥ 2 years
Radio	Frequency	868 – 870 MHz
	bands & max. power	868,000 MHz – 868,600 MHz e.r.p < 25 mW 868,700 MHz – 869,200 MHz e.r.p < 25 mW 869,700 MHz – 870,000 MHz e.r.p < 25 mW
	Protocole	io-homecontrol®, bidirectional tri-band
Temperature range / relative humidity	Storage	-20°C to +60°C / <60%, without condensation
	Working	0°C to +60°C / 0% - 93%, without condensation
Protection factor		IP 67
Antenna		Integrated
Weight	Product incl. accessories	48 gr
	Complete packaging	96 gr