

20 - 01 - 2010

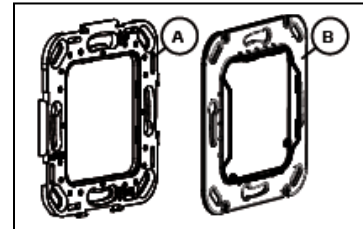
SDEV-FICA 84R3

<b>Designation</b>	<b>Smooove 1 A/M IN io</b>
<b>Reference</b>	<b>1811101 (pure shine) 1811102 (black shine) 1811103 (sliver shine)</b>
<b>Range</b>	<b>Io Homecontrol</b>

## FUNCTIONS

- 1W control
- Sensitive Command : Up, My, Down
- Setting with io ergonomic
- Composition: 1 module, 1 Mounting plate "A", 1 Mounting plate DIN 50x50 "B"

- Icon Battery life time
- Switch ON/OFF
- Switch selected mode (Advanced ergonomic for application)



Wall Support

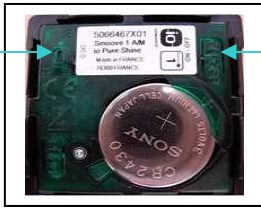
## TECHNICAL SPECIFICATIONS

Box	Material Color	ABS & PC Pure Shine, Black Shine, Silver Shine
	Size	Module 50 x 50 x 10 mm
	Protection factor against solid & splashproof	IP 30
Battery	Voltage Type Number	3V CR 2430 x1
Battery lifetime (at ambient temperature in typical conditions)		42 months
Radio frequency EIRP (Equivalent Isotropically Radiated Power) Modulation Type		868.95MHz -5 dBm or 0.3mW FSK dev. ± 19.2 kHz
Protocol Antenna		io homecontrol 1 Way Integrated
Temperature range	Storing Working	-30°C / +70°C 0°C / +60°C
Drop test		Installation: at 0°C 1/face (height : 1,2m) Using: at 20°C 1/face (height : 1,2m)
Wear resistivity Cleaning products resistivity		50 250 cycles
Weight Standard (CE)		24g
Safety of the user : EN EN60950-1 : 2006		
Health of the user : EN50371 : 2002		
Electromagnetic compatibility : EN61000-6-1 : 2007_EN61000-6-3 : 2007_EN301 489-3 V1.4.1 : 2002_EN301 489-1 V1.8.1 : 2008		
Radio Spectrum : EN300220-2 V2.1.2 : 2007_EN300220-1 V2.1.1 : 2006		

## DESCRIPTION

Green cover for io technology

Select mode button

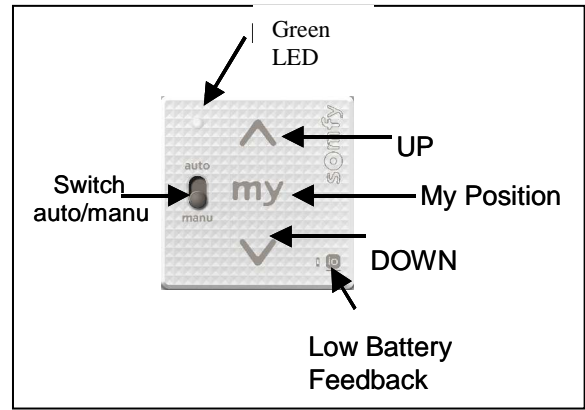


ON / OFF

Prog



Battery



## COMPATIBILITIES

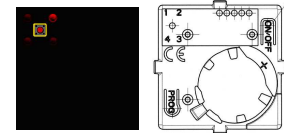
Actuators :

- All io homecontrol actuators (0% / 100%)
- US Dimming for light & heat profiles
- DAP all io for VB fast speed, RS with tilting profiles
- US Dimming for VB slow speed

## INSTALLATION

Select mode

Sens of the mode choice (toggle) is done clockwise.



- LED LIGHTS remains continuously ON during 3s
- LED colour still to be confirmed

**Position 1: 0 – 100%**  
(VR, windows, GO...)

Main Parameter = Position of the shutter

**Position 2 : Dimming US (1st param)**  
(light, heat...)

Main parameter = Light intensity  
Functional parameter # 1 = Light intensity gradient



**Position 4: Dimming US (All io 1st and 2<sup>nd</sup> param)**  
(VB slow speed)

Main parameter = Position of the shutter or Position of the blind  
Functional parameter # 2 = Speed of the slats during orientation  
Functional parameter # 3 = Orientation of the slats

**Position 3: DAP all io**  
(VB fast speed, VRLO..)

Main parameter = Position of the shutter or Position of the blind  
Functional parameter # 3 = Orientation of the slats

### Switch ON/OFF



ON / OFF

- Press On/Off button for wake up the sensitive pad.

#### Remark

The prog button is available when the module is OFF

### Switch Auto/Manu



On selecting the MANU (Local lock) position

-> Mode change for Auto-Manu

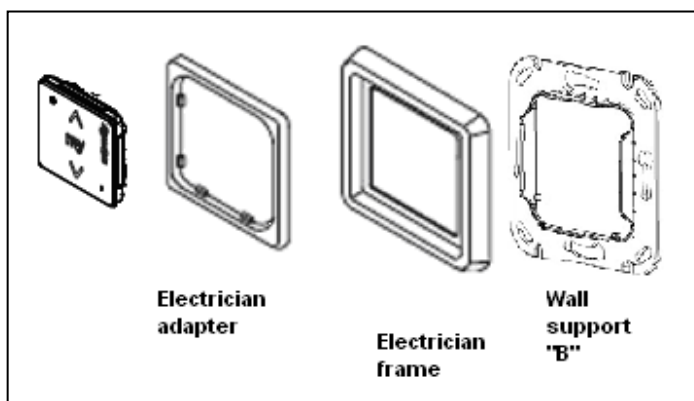
I want to lock my product. This product will not any more receive the orders coming from an other control point.

On selecting the AUTO position

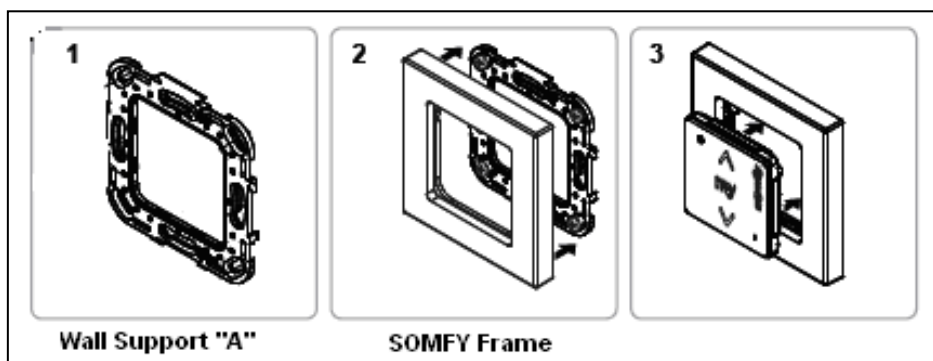
-> Mode change for Auto-Manu

I want to unlock my product. This product will receive the orders coming from an other control point.

### Installation with Electrician Frame



### Installation with SOMFY Frame



**Frame compatibility with GERMAN Market**

Busch-Jaeger	Carat	X	Jung	AS 500	
	Impuls	Not possible		AS Antibakteriell	X
	Solo	X		AS Universal	X
	Alpha Exclusive	X		A 500	X
	Alpha Nea	X		A Plus	X
	Future	X		CD 500	X
	Future linear	X		CD Universal	X
	Reflex SI	X		CD Plus	X
	Reflex SI linear	X		SL 500	?
	Duro 2000 SI	X		LS 990	X
	Duro 2000 SI linear	X		LS Plus	Not possible
	Triton	?		FD 990	?
Gira	Standard 55	X	Hager	Kallysto.pur	Not possible
	E2			Kallysto.stil	Not possible
	System 55	X		Kallysto.art	Not possible
	Event		Merten	M1	X
	System 55	X		Atelier	X
	Esprit			Epoca	?
	System 55	X		Octocolor	X
	Profil	?		M-Arc	X
	System 55	?		M-Plan	X
	Flächenschalter	X		M-Plan II	X
	S-Classic	Not possible		M-Smart	X
	S-Color	Not possible		M-Plan Echtglas	X
	Edelstahl Serie 20	?		M-Star	X
	Edelstahl Serie 21	?		Artec	X
	TX_44	Not possible		Antik	X
	E22	?		Tracent	X
E22 thermoplast	?	Eiso		Riva	X
F100	?		Scala	X	
Berker	K1		X	Fashion	X
	K5		X	Fashion bruchfest	X
	B1		X	Novia	X
	B3		X	Classic	X
	B7 Glas		X	Arezzo	?
	S1		X	Senso	?
	Modul 2	X	Komplett	?	
	Serie 1930	?	Legrand (GmbH)	Creo	Not possible
	Glasserie	?		Tenara	?
	Palazzo	?		Tenara Metall	?
	Arsys	X		Structura	?
	Twinpoint	?			

BE – R&D  
F. GIGOUT

QUALITY  
G. BRUNEAU

MARKETING  
C.DENIAU