

| | |
|--------------|--|
| Designations | IZYMO SHUTTER RECEIVER io F/CE/NE/SE IZYMO SHUTTER RECEIVER io MEA/EE |
| References | F/CE/NE/SE : 1822660 MEA/EE : 1822661 |
| Range | io |

FUNCTIONS

The SHUTTER receiver io enables to transform any wired shutter into a smart and connected one. It can be placed in a recessed box behind the switch or next to the wired actuator (depending on the installation).

In stand-alone usage, it can be used to centralize the shutters from only one control point.



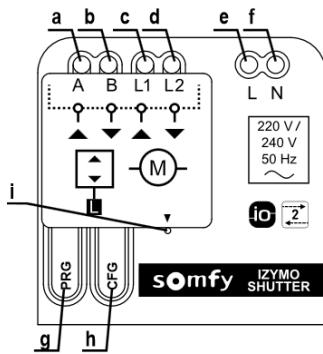
Compatibility



Technical specifications

| | |
|---|---|
| Power supply | Input: 220-240V AC (Neutral + Live) Output: 2A |
| Max. power | Motor up to 80Nm |
| Protocol | io-homecontrol (2-way) |
| Frequency bands and max. effective radiated power | 868,000MHz – 868,600MHz e.r.p. < 25mW 868,700MHz – 869,200MHz e.r.p. < 25 mW 869,700MHz – 870,000MHz e.r.p. < 25 mW |
| Free field range | 200 meters |
| Indoor range | 20 meters through 2 concrete walls |
| Dimensions | 43 x 43 x 18 mm |
| Weight | 50g |
| Index protecting rage | IP20 (indoor use only) |
| Storage temperature | -30 °C à +70 °C |
| Operating temperature | 0°C to +55°C |
| Number of io remote controls | 1-way : 10 remote control devices 2-way : unlimited |
| Standby consumption | <0,5W |

PRODUCT DESCRIPTION



| Designation | Cable | Mark |
|--------------------------|------------|------|
| Switch input – Up | A – Purple | a |
| Switch input – Down | B – Orange | b |
| Motor – Up live | L1 – Black | c |
| Motor – Down live | L2 – Brown | d |
| Supply Live | L – Brown | e |
| Supply Neutral | N – Blue | f |
| Programmation button PRG | - | g |
| Configuration button CFG | - | h |
| Multi-colour LED | - | i |

COMPATIBILITIES

All Somfy 1W & 2W io-homecontrol controls/remotes, such as:

- Smoove io range
- Situo 1/5 io
- Situo 1/5 variation io
- Easy Sun io
- Nina & Nina Timer io
- Keytis 4 Home io
- Keygo io
- Chronis io
- Telis Composio io
- Impresario Chronis io
- IZYMO Transmitter io

All io-homecontrol compatible boxes

- TaHoma
- Connexoon Window io
- E-Connect (Rexel)

All Somfy io alarm systems

- Home keeper io
- Protexial io

Velux controls :

- 1W
- 2W
- Repeater io

APPLICABLE STANDARDS

Safety: EN 62368-1 :2014+ AC :2015 ; EN 60669-2-1 :2009 + Corr 2007 + A1 :2009 + A12 : 2010;

Health: EN 62479:2010

EMC compliances: EN 301489-1 V1.9.2:2011; EN 301489-3 V1.6.1:2013;

Radio compliances : EN 300220-1 V3.1.1 :2017 ; EN 300220-2 V3.1.1 :2017

ERP directive and related regulations : Directive 2009/125/EC, standby mode <0.5W

Radio Equipment Directive: RED 2014/53/UE