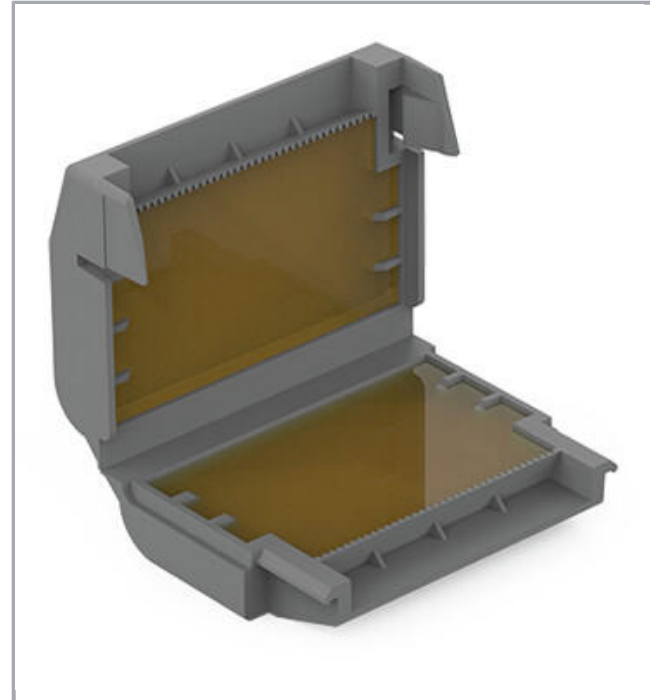
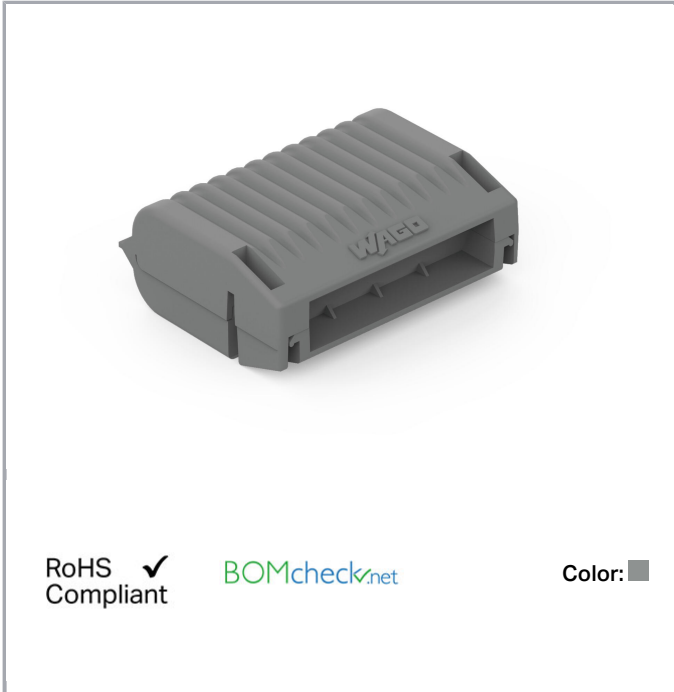


Data sheet | Item number: 207-1332

Gelbox; for cables; Branch; with gel; 221, 2273 Series; without splicing connectors; Size 2; gray

www.wago.com/207-1332



RoHS Compliant

BOMcheck.net

Color:

Data

Connection data

Actuation type

Verrastung

Geometrical Data

Width

33,6 mm / 1.323 inch

Height

17,8 mm / 0.701 inch

Depth

45,9 mm / 1.807 inch

Mechanical data

Mounting type

Fliegende Verbindung

Protection type

IPx8 (2m/2h) gemäß 60529

Subject to changes. Please also observe the further product documentation!

WAGO Kontakttechnik GmbH & Co. KG
Hansastr. 27
32423 Minden
Phone: +49571 887-0 | Fax: +49571 887-169
Email: info.de@wago.com | Web: www.wago.com

Do you have any questions about our products?
We are always happy to take your call at +49 (571) 887-44222.



Material Data

Color	gray
Housing material	Polypropylen
Weight	18.4 g

Environmental Requirements

Surrounding air temperature (operation)	85 ... 85 °C
Surrounding air temperature (storage)	85 ... 85 °C
Continuous operating temperature	105 ... 105 °C

Commercial data

Packaging type	BOX
Country of origin	IT
GTIN	4055143998017
Customs tariff number	85389099990

Counterpart

Handling Instructions

Subject to changes. Please also observe the further product documentation!

WAGO Kontakttechnik GmbH & Co. KG
Hansastr. 27
32423 Minden
Phone: +49571 887-0 | Fax: +49571 887-169
Email: info.de@wago.com | Web: www.wago.com

Do you have any questions about our products?
We are always happy to take your call at +49 (571) 887-44222.