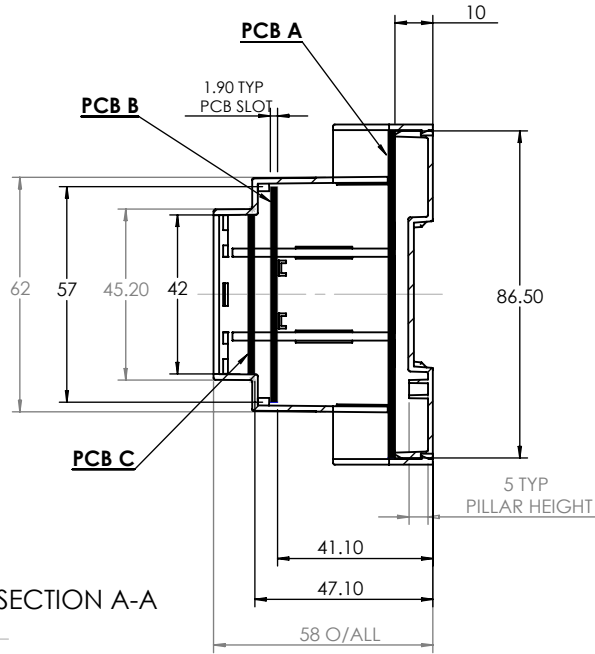
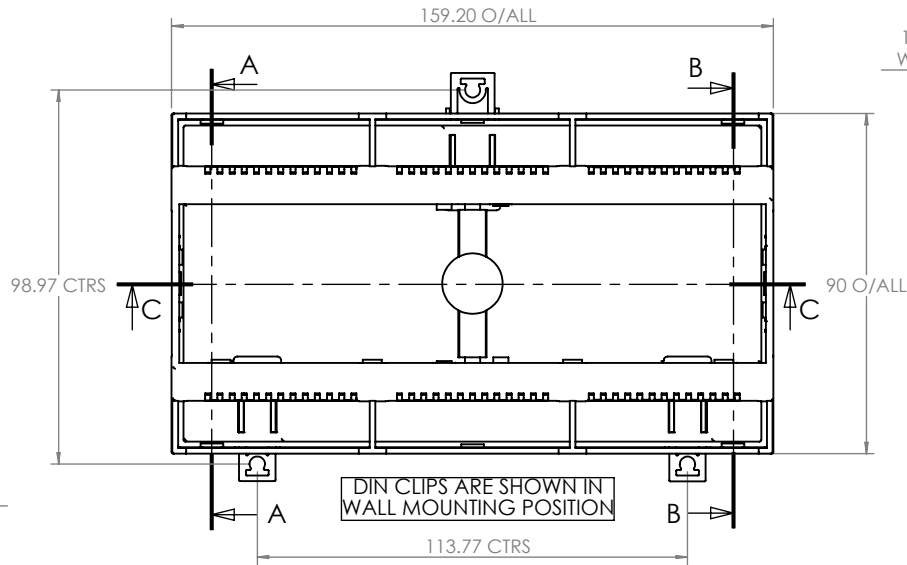


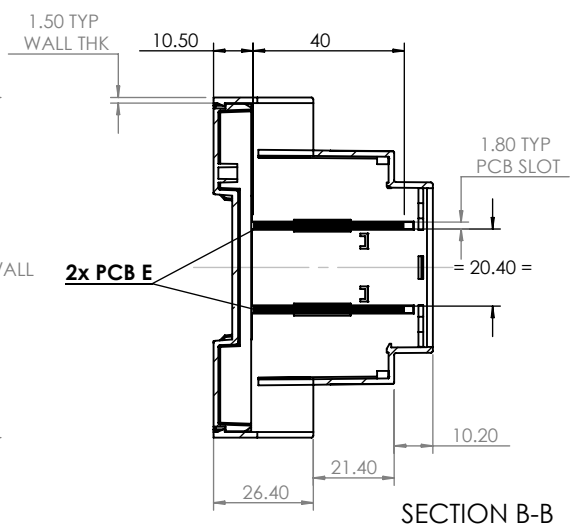
**ASSEMBLY**



SECTION A-A

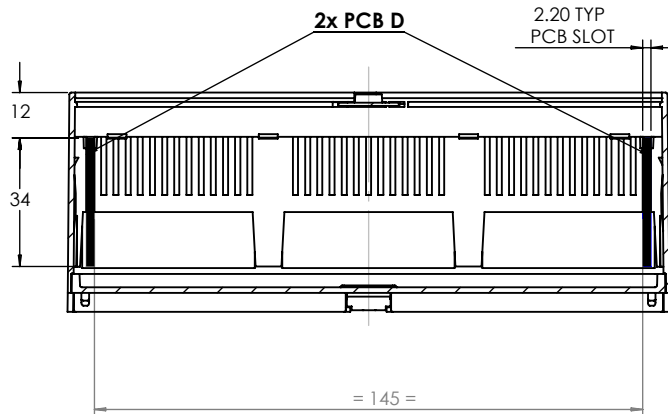
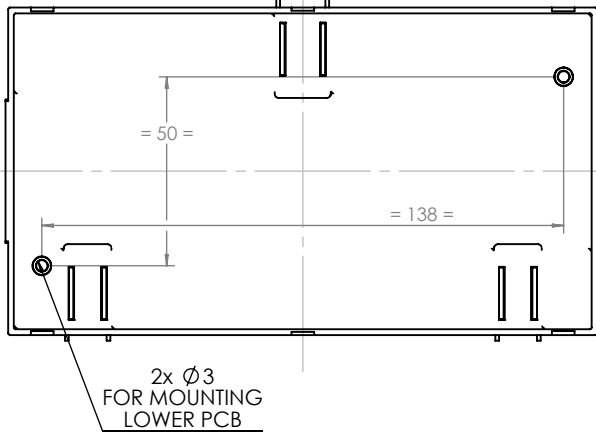


DIN CLIPS ARE SHOWN IN WALL MOUNTING POSITION



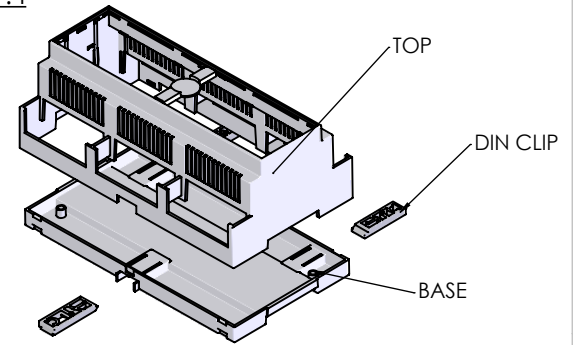
SECTION B-B

**BASE**



SECTION C-C

**ISO VIEW  
1:4**



PCB DIMENSIONS (mm)	
A	86.5 x 155
B	57 x 155.4
C	42 x 154
D	34 x 59.6
E	40 x 155



**CAMDENBOSS**

JAMES CARTER RD, MILDENHALL, SUFFOLK. IP28 7DE  
 TEL: 01638 716101 FAX: 01638 716554  
 EMAIL: Sales@CamdenBoss.com  
 WEB: www.CamdenBoss.com

UNLESS OTHERWISE SPECIFIED:  
 DIMENSIONS ARE IN MILLIMETERS

DO NOT SCALE DRAWING

REVISION: 0

FINISH:  
**SMOOTH**

TITLE:  
**GNL ASSY DRG FOR  
 CNMB SERIES**

	NAME	SIGNED	DATE
DRAWN	L. SUBKHANKULOVA	LS	24/03/10
CHK'D	STUART HARDINGE	SJH	24/03/10

MATERIAL:  
**UV94-V0 PC**

DWG NO.

**CNMB-9V-2**

A4

PROJECTION:

SCALE: 1 : 2

SHEET 1 OF 1