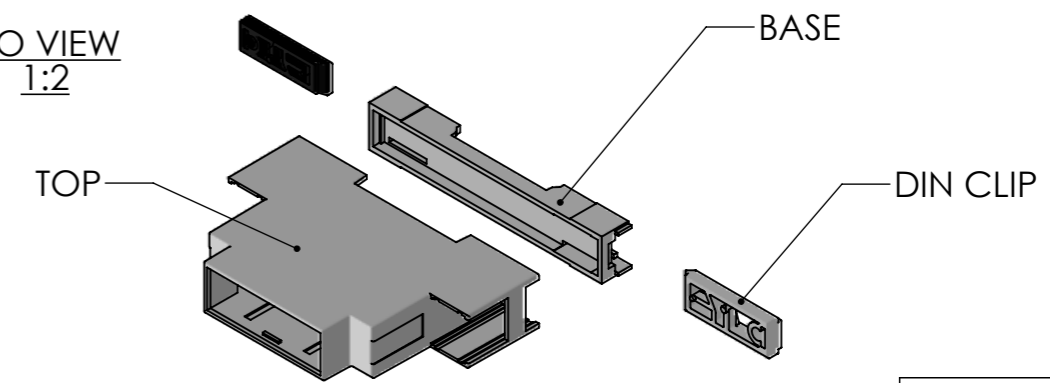
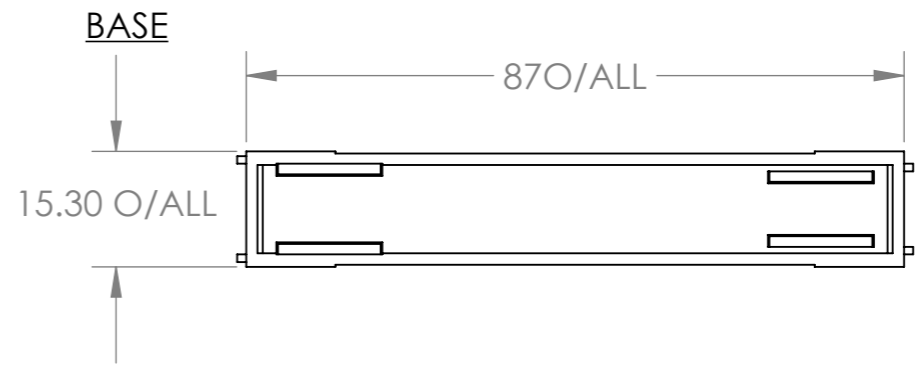
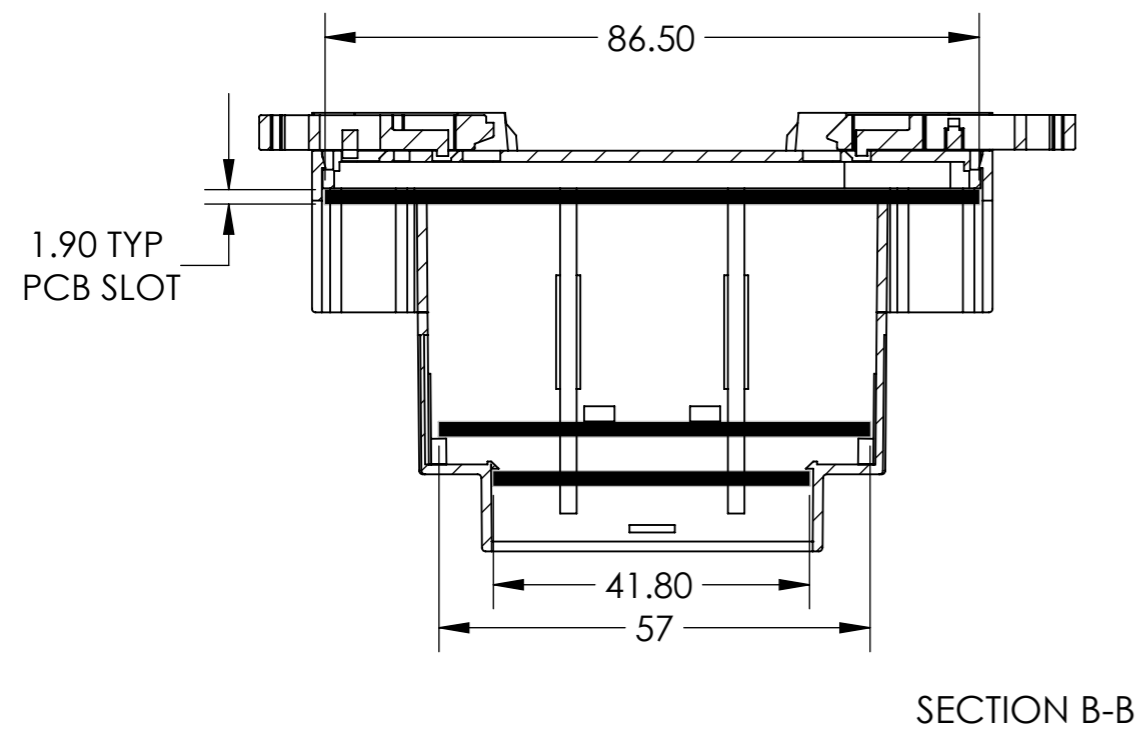
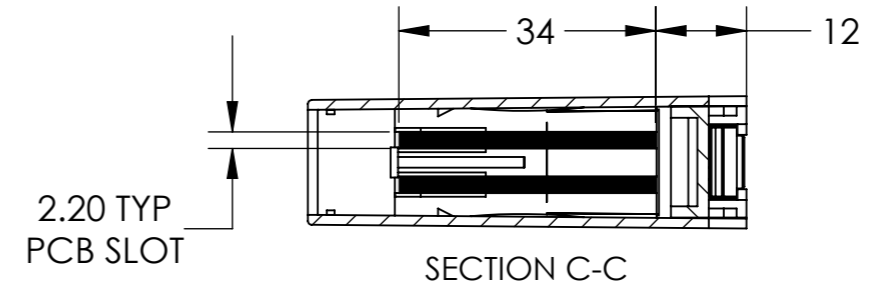
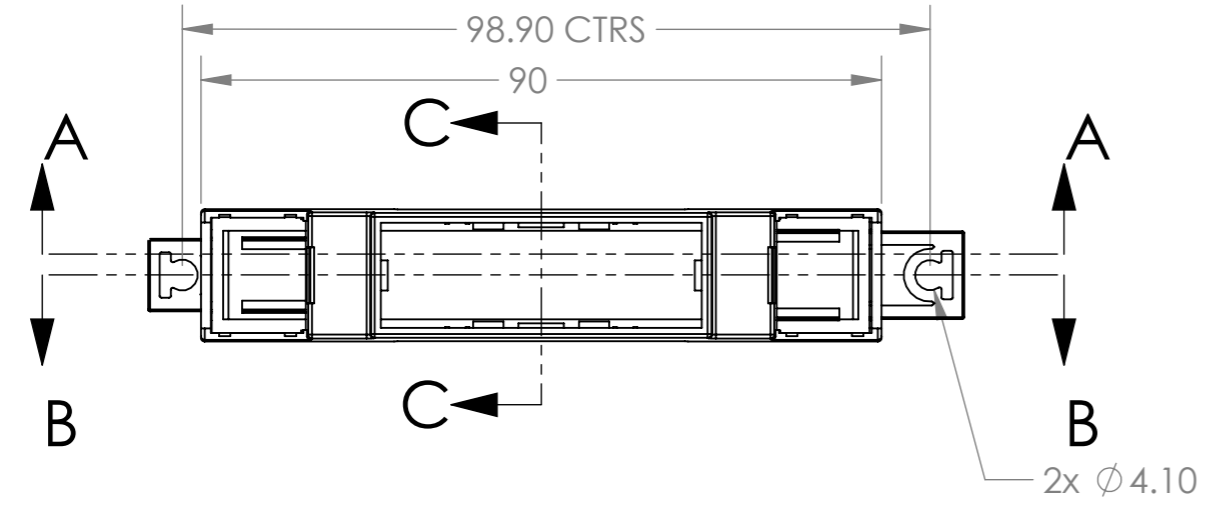


ISO VIEW  
1:2



PCB DIMENSIONS (mm)	
A	86.5 x 14
B	57 x 14
C	41.8 x 14
D	34 x 59.6
E	40 x 14.8



<p><b>CAMDENBOSS</b></p> <p>JAMES CARTER RD, MILDENHALL, SUFFOLK. IP28 7DE          TEL: 01638 716101 FAX: 01638 716554          EMAIL: Sales@CamdenBoss.com          WEB: www.CamdenBoss.com</p>			UNLESS OTHERWISE SPECIFIED: DIMENSIONS ARE IN MILLIMETERS		DO NOT SCALE DRAWING	REVISION: 0		
			FINISH: <b>SMOOTH</b>		TITLE: <b>GNL ASSY DRG FOR CNMB SERIES</b>			
DRAWN: M.WALLACE		SIGNATURE: MJW		DATE: 07/10/10		MATERIAL: <b>UV94-VO PC</b>	DWG NO. <b>CNMB-1W-2</b>	A3
CHK'D: L.SUBKHANKULOVA		LS		07/10/10		PROJECTION:	SCALE: 1:1	SHEET 1 OF 1