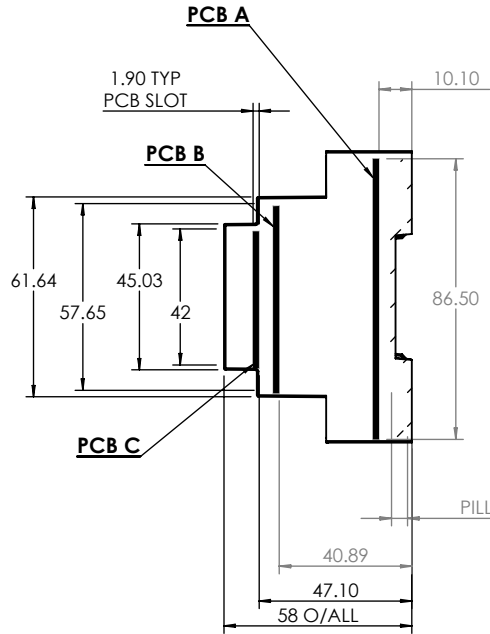
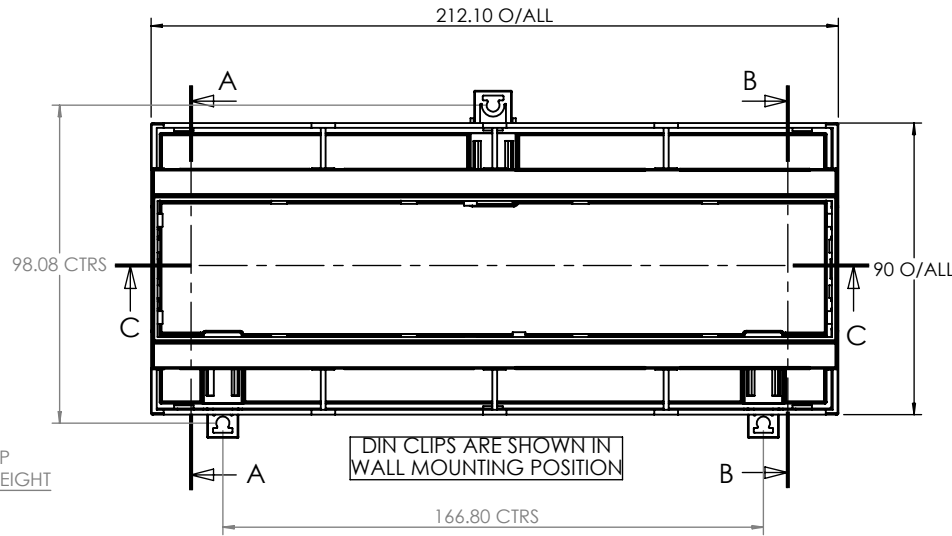


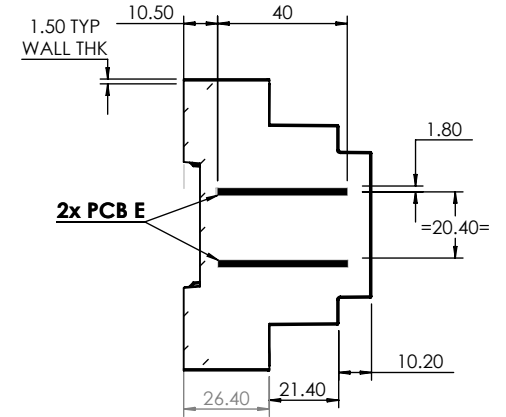
ASSEMBLY



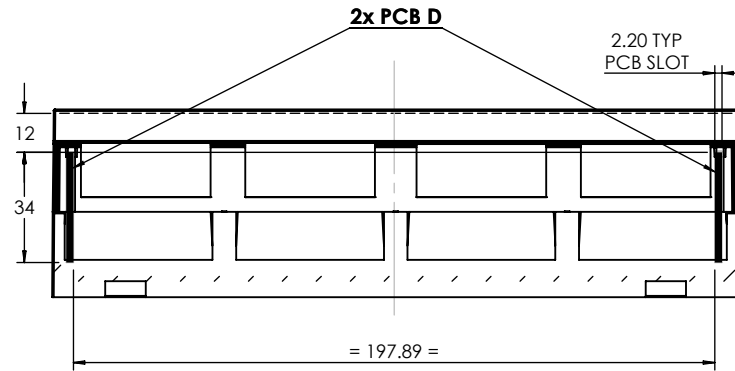
SECTION A-A
SCALE 3 : 7



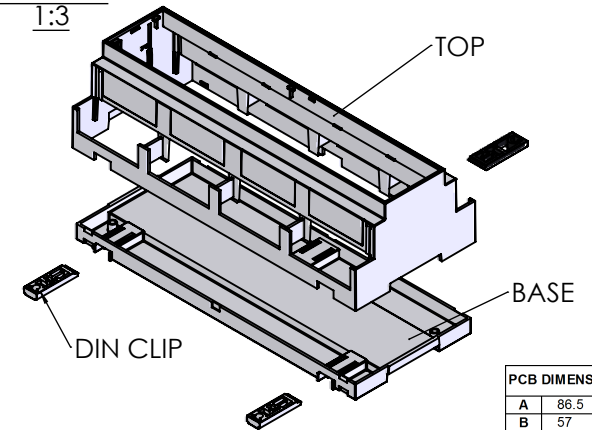
SECTION C-C
SCALE 3 : 7



SECTION B-B
SCALE 3 : 7

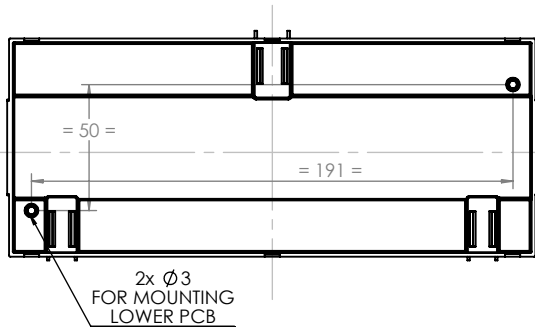


ISO VIEW
1:3



PCB DIMENSIONS (mm)		
A	86.5	x 208
B	57	x 207
C	41.8	x 207
D	34	x 59.6
E	40	x 208

BASE



<p>CAMDENBOSS JAMES CARTER RD, MILDENHALL, SUFFOLK. IP28 7DE TEL: 01638 716101 FAX: 01638 716554 EMAIL: Sales@CamdenBoss.com WEB: www.CamdenBoss.com</p>			UNLESS OTHERWISE SPECIFIED: DIMENSIONS ARE IN MILLIMETERS		DO NOT SCALE DRAWING		REVISION: 0			
			GENERAL TOLERANCES +/- 0.2		FINISH: SMOOTH		TITLE: GNL ASSY DRG FOR CNMB SERIES			
DRAWN JAMIE JACOBS		SIGNED JNJ		DATE 22/11/12		MATERIAL: UL94-VO PC		DWG NO. CNMB-12-2		A4
CHKD -		-		-		PROJECTION: 		SCALE: 1 : 2		SHEET 1 OF 1