



Paulmann

### Safety Instructions

1, 2, 3, 4, 7, 8, 11, 12, 13, 14, 16, 17, 18, 19, 20, 33, 34;



Info

[www.paulmann.com](http://www.paulmann.com)

Paulmann Licht GmbH  
Quezinger Feld 2  
31832 Springe  
Germany

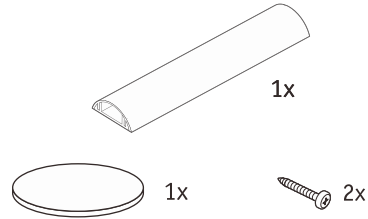
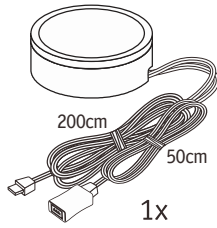
[www.paulmann.com](http://www.paulmann.com)

Art.-Nr.: 999.52  
999.53



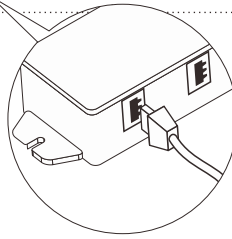
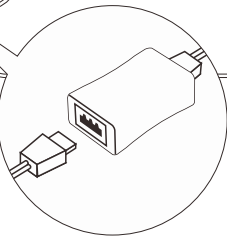
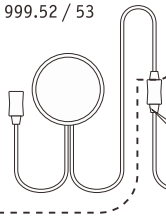
999.52/53

(+MA 326)PEO 04/20



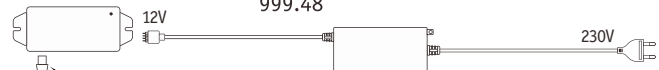
A

Not incl 999.52 / 53

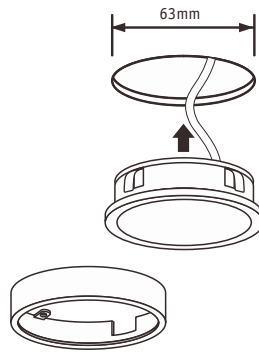
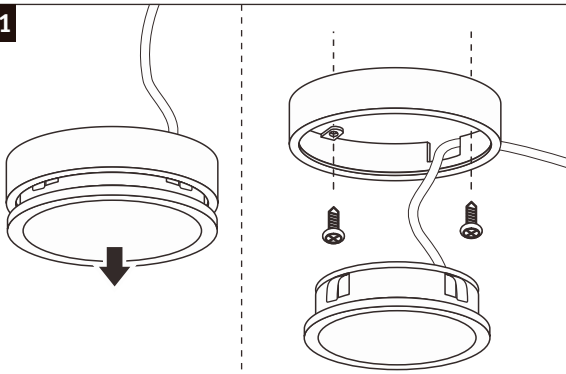


999.46  
999.47  
999.48

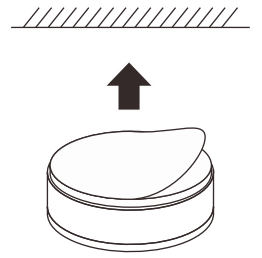
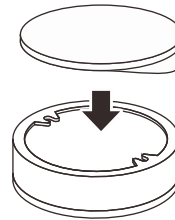
Not incl



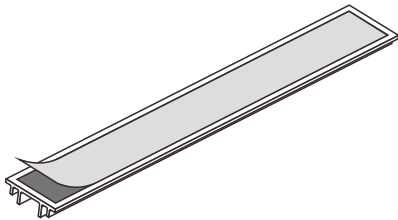
B1



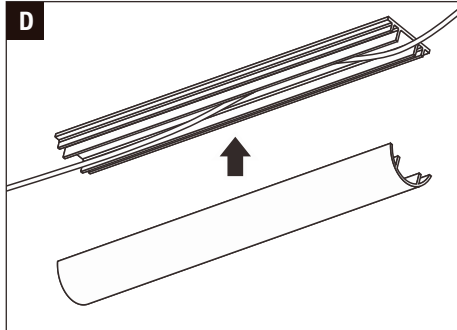
B2



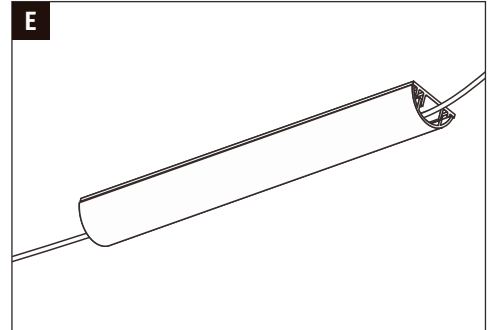
C



D

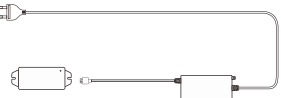


E



Not incl.

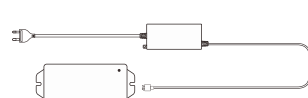
Driver: Max.12W



Paulmann  
Art.Nr:999.46

Not incl.

Driver: Max.25W



Paulmann  
Art.Nr:999.47

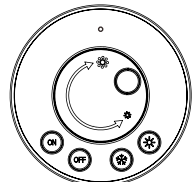
Not incl.

Driver: Max.36W



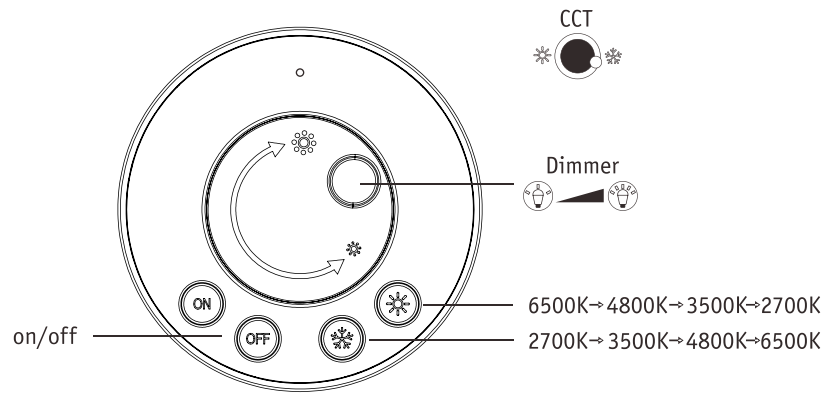
Paulmann  
Art.Nr:999.48

Not incl.



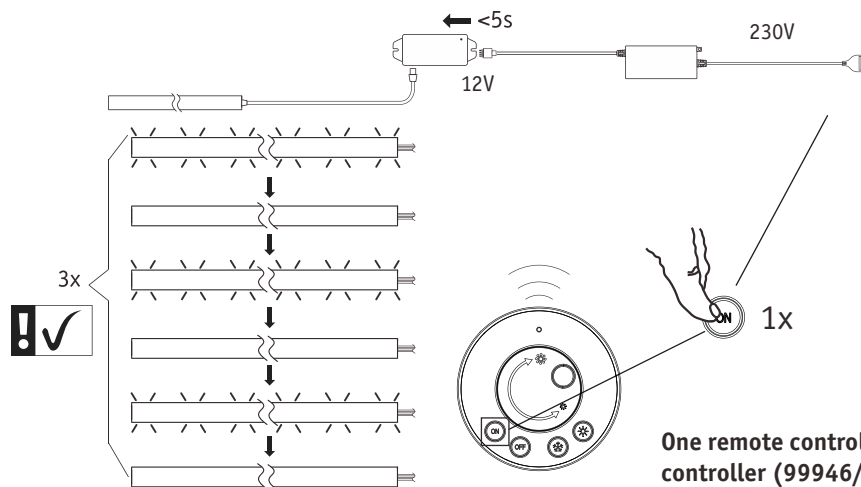
Paulmann  
Art.Nr:999.76

## Function of keys



## Code Matching

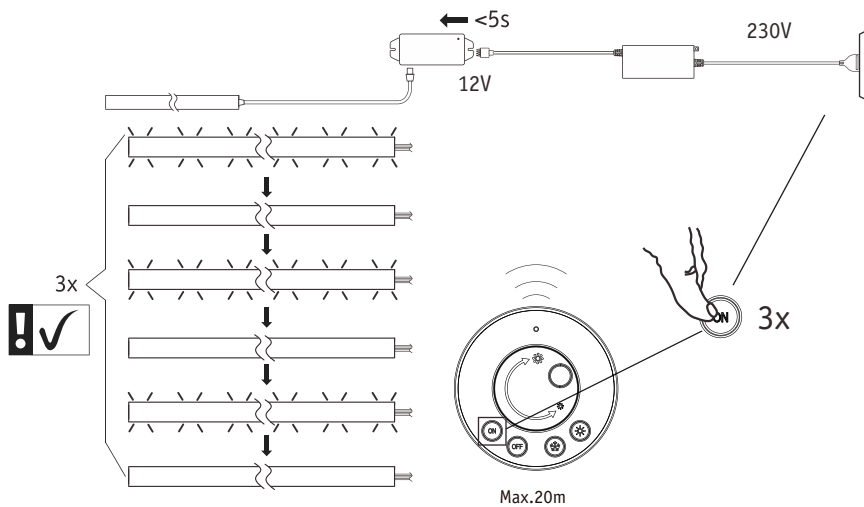
(Press the "ON" button one time within 5s of connecting to the controller)



One remote control can control countless controller (99946/99947/99948), but a controller (99946/99947/99948) can be only controlled by 4 pcs remote control.

## Code Clearing

(Press the "NO" button three times within 5s of cancelling the connection to the controller)




Hiermit erklärt Paulmann Licht, dass der Funkanlagentyp Art.-Nr.: 999.52/999.53 der Richtlinie 2014/53/EU entspricht. Der vollständige

Text der EU-Konformitätserklärung ist unter der folgenden Internetadresse verfügbar: [www.paulmann.de](http://www.paulmann.de)

Zugelassen für den Betrieb in allen Ländern der EU / Approved for operating in all European countries

CE: Konform mit / in accordance with / conformément a 2014/30/EU, 2014/53/EU <http://www.paulmann.com/ce>

Funk-Frequenz :2.4GHz -2.4835GHz Abgestrahlte Energie :10mW  NO

Doesn't apply for the geographical area within a radius of 20km from the centre on "Ny Alesund"