

Safety Instructions

1, 2, 3, 4, 5, 6, 7, 10, 12, 13, 14, 15, 16,
17, 18, 19, 20, 22, 24, 28, 29, 31, 32, 33, 34


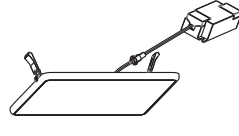
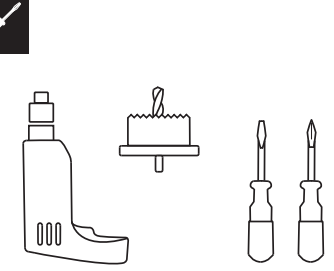


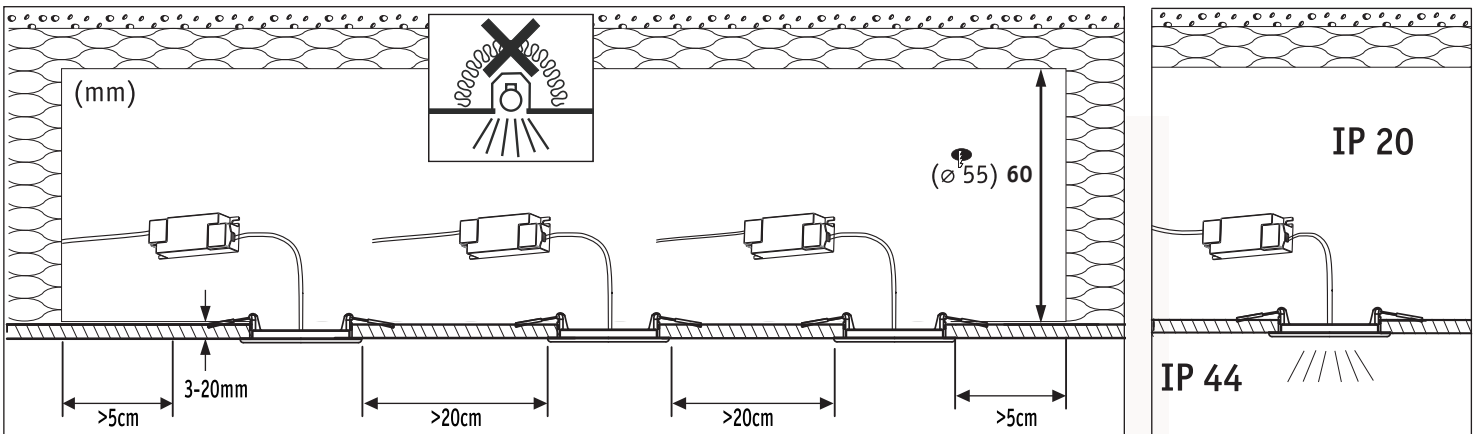
Info

www.paulmann.com

Paulmann Licht GmbH
Quezinger Feld 2
31832 Springe
Germany


www.paulmann.com

| | | | |
|--|---|---|---|
| <p>Art.-Nr.: 923.87 923.90 923.93 923.96 (+MA 326) PVI 04/20 CE</p> | <p>Art.-Nr.: 923.87 923.90</p>  <p>1x Incl. 2x</p> | <p>Art.-Nr.: 923.93 923.96</p>  <p>1x Incl. 2x</p> |  |
|--|---|---|---|

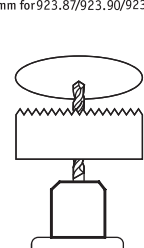


A

Safety Instructions
Nr. 1, 3, 5, 7

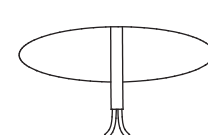



(ø 45-55 mm for 923.87/923.90/923.93/923.96)



B

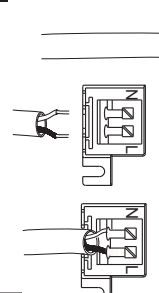
Safety Instructions
Nr. 5, 7

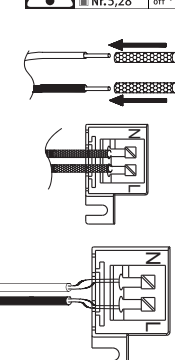
C

Safety Instructions
Nr. 5, 28

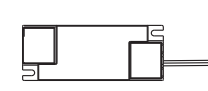
1



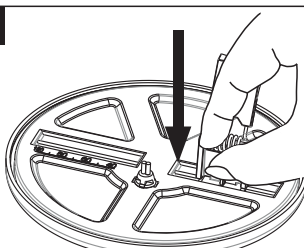
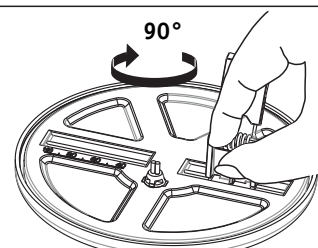
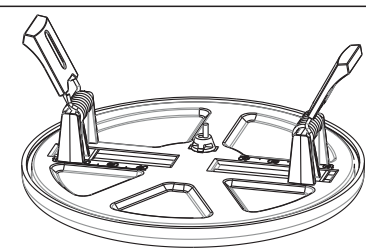
2



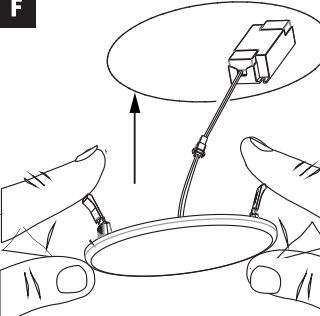
D



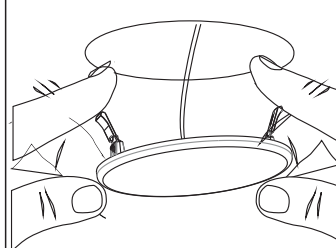

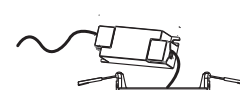

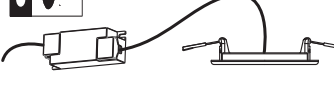
E

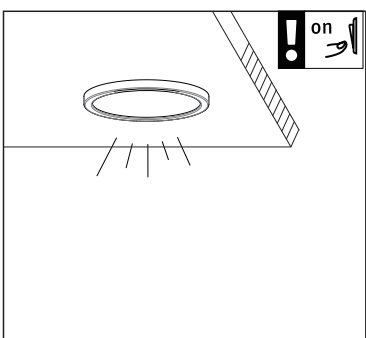
F



G

OK



on