

**Safety Instructions**

1, 2, 3, 4, 5, 6, 7, 10, 12, 13, 14, 15, 16,  
17, 18, 19, 20, 22, 24, 28, 29, 31, 32, 33, 34


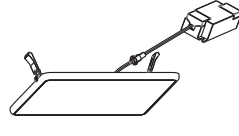
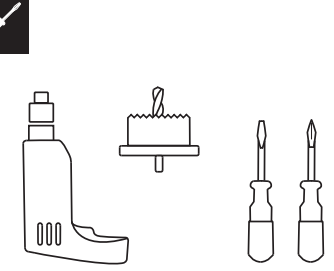


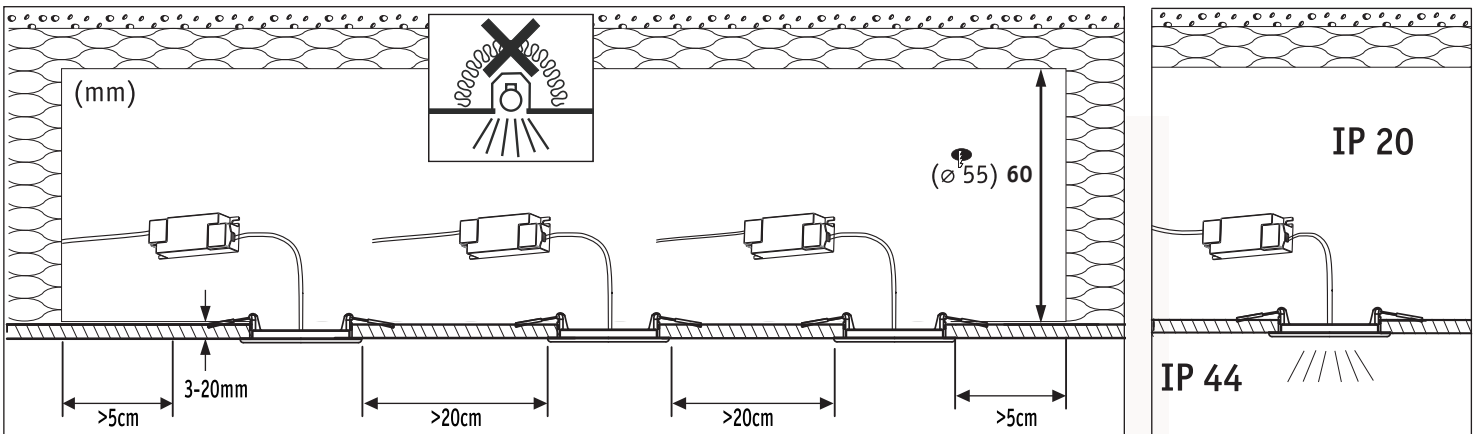
Info

[www.paulmann.com](http://www.paulmann.com)

Paulmann Licht GmbH  
Quezinger Feld 2  
31832 Springe  
Germany


[www.paulmann.com](http://www.paulmann.com)

<p>Art.-Nr.: 923.87 923.90 923.93 923.96  (+MA 326) PVI 04/20  <b>CE</b></p>	<p>Art.-Nr.: 923.87 923.90</p>  <p>1x Incl. 2x</p>	<p>Art.-Nr.: 923.93 923.96</p>  <p>1x Incl. 2x</p>	
--	---	---	---

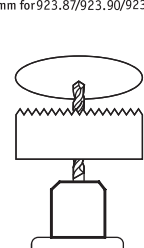


**A**

Safety Instructions  
Nr. 1,3,5,7

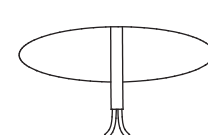



(ø 45-55 mm for 923.87/923.90/923.93/923.96)



**B**

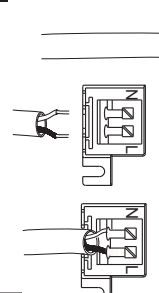
Safety Instructions  
Nr. 5,7

**C**

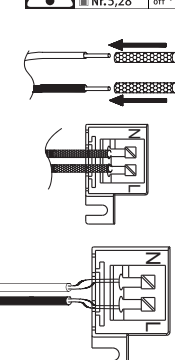
Safety Instructions  
Nr. 5,28

1



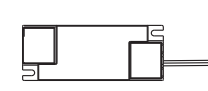
7mm  
14mm

2

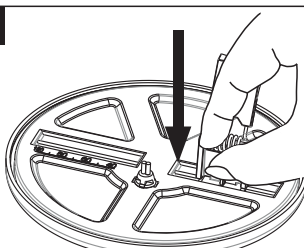
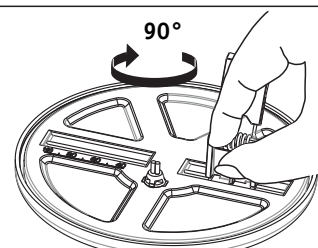
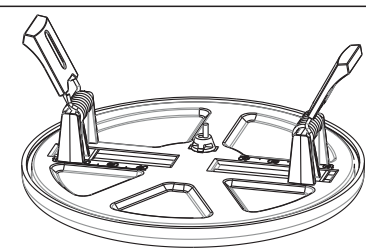


✓  
✗

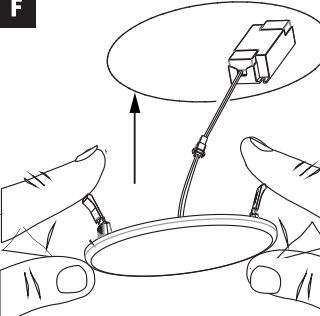
**D**



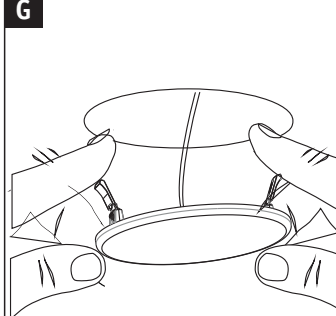
**E**

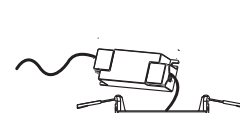
**F**



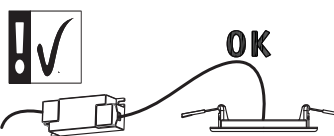
**G**



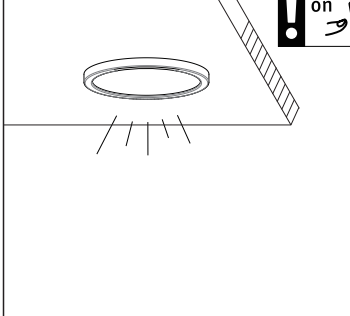
✗



✓



OK



! on