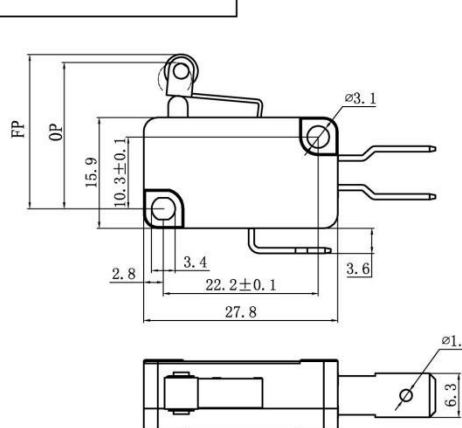
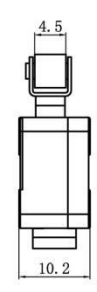


# Data Sheet

KW3-16A-5B

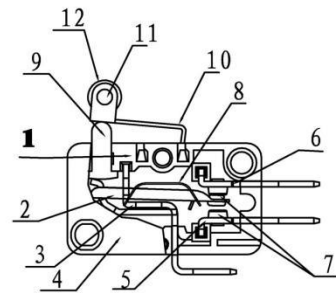


示意图 Sketch map

**动作特性 Action characteristic**

| 项目 | 参数            |
|----|---------------|
| FP | 22.2 MAX (mm) |
| OP | 21 ± 0.5 (mm) |
| OF | 300 MAX (gf)  |

|    |                     |   |                         |                      |
|----|---------------------|---|-------------------------|----------------------|
| 12 | 滚轮<br>ROLLER WHEEL  | 1 | 黄铜<br>BRASS             | 镀镍<br>NICKEL PLATING |
| 11 | 铆钉<br>RIVET         | 1 | 铝<br>ALUMINIUM          |                      |
| 10 | 动臂<br>LEVER         | 1 | 不锈钢<br>STAINLESS STEEL  |                      |
| 9  | 按钮<br>BUTTON        | 1 | PPT                     | 红色<br>RED            |
| 8  | 簧片<br>SPRING        | 1 | 铍青铜<br>BERYLLIUM BRONZE |                      |
| 7  | 电触点<br>CONTACT      | 3 | Ag                      |                      |
| 6  | 常闭端子<br>NC TERMINAL | 1 | 黄铜<br>BRASS             | 镀银<br>SILVERING      |
| 5  | 常开端子<br>NO TERMINAL | 1 | 黄铜<br>BRASS             | 镀银<br>SILVERING      |
| 4  | 盖子<br>COVER         | 1 | PPT                     | 黑色<br>BLACK          |
| 3  | 支架<br>SUPPORT       | 1 | 黄铜<br>BRASS             | 镀银<br>SILVERING      |
| 2  | 可动片<br>MOVING PIECE | 1 | 磷铜<br>PHOSPHOR COPPER   | 镀银<br>SILVERING      |
| 1  | 底座<br>SUBSTRATE     | 1 | PPT                     | 黑色<br>BLACK          |

未注尺寸公差均按GB1804-m级精度要求 (具体见下表)  
DID NOT INDICATE THE SIZE TOLERANCE ARE CALCULATED BY  
GB1804 - m CLASS ACCURACY REQUIREMENT (SEE TABLE BELOW)

| 公差等级<br>GRADE OF TOLERANCE | 尺寸分段<br>SIZE CLASS |       |       |         |
|----------------------------|--------------------|-------|-------|---------|
|                            | 0.5~3              | >3~6  | >6~30 | >30~120 |
| m(中等级)<br>(THE LEVEL)      | ± 0.1              | ± 0.1 | ± 0.2 | ± 0.3   |

| 序号<br>NO. | 名称<br>NAME          | 数量<br>QUANTITY | 材料<br>MATERIAL          | 备注<br>REMARK         |
|-----------|---------------------|----------------|-------------------------|----------------------|
| 12        | 滚轮<br>ROLLER WHEEL  | 1              | 黄铜<br>BRASS             | 镀镍<br>NICKEL PLATING |
| 11        | 铆钉<br>RIVET         | 1              | 铝<br>ALUMINIUM          |                      |
| 10        | 动臂<br>LEVER         | 1              | 不锈钢<br>STAINLESS STEEL  |                      |
| 9         | 按钮<br>BUTTON        | 1              | PPT                     | 红色<br>RED            |
| 8         | 簧片<br>SPRING        | 1              | 铍青铜<br>BERYLLIUM BRONZE |                      |
| 7         | 电触点<br>CONTACT      | 3              | Ag                      |                      |
| 6         | 常闭端子<br>NC TERMINAL | 1              | 黄铜<br>BRASS             | 镀银<br>SILVERING      |
| 5         | 常开端子<br>NO TERMINAL | 1              | 黄铜<br>BRASS             | 镀银<br>SILVERING      |
| 4         | 盖子<br>COVER         | 1              | PPT                     | 黑色<br>BLACK          |
| 3         | 支架<br>SUPPORT       | 1              | 黄铜<br>BRASS             | 镀银<br>SILVERING      |
| 2         | 可动片<br>MOVING PIECE | 1              | 磷铜<br>PHOSPHOR COPPER   | 镀银<br>SILVERING      |
| 1         | 底座<br>SUBSTRATE     | 1              | PPT                     | 黑色<br>BLACK          |

外形图  
DRAWINGS

浙江康尔乐电子有限公司  
ZHEJIANG KANGERLE ELECTRONICS CO., LTD

微动开关  
MICROSWITCH

KW3-16A-5B

| 阶段标记<br>MARK PHASE | 重量<br>WEIGHT | 比例<br>PROPORTION |
|--------------------|--------------|------------------|
|                    |              |                  |

第 页 共 页  
ORIGINAL PAGE TOTAL PAGES

| 标记<br>SIGN   | 次数<br>INDEX           | 分区<br>PARTITION | 更改文件号<br>CHANGE THE FILE NO. | 签名<br>SIGNATURE      | 日期<br>DATE |
|--------------|-----------------------|-----------------|------------------------------|----------------------|------------|
| 设计<br>DESIGN | 郑永林<br>ZHONG YONG LIN | 2020.8.22       | 工艺<br>TECHNOLOGY             | 柯志武<br>KE ZHI WU     | 2020.8.22  |
| 审核<br>CHECK  | 柯志武<br>KE ZHI WU      | 2020.8.22       | 批准<br>APPROVAL               | 郑建乐<br>ZHENG JIAN LE | 2020.8.22  |

等(通)用件登记  
OFF-THE-SHELF NOTE

描图  
TRACING

描模  
PROOFREAD

底座图号  
ALD BASE MAP MARK

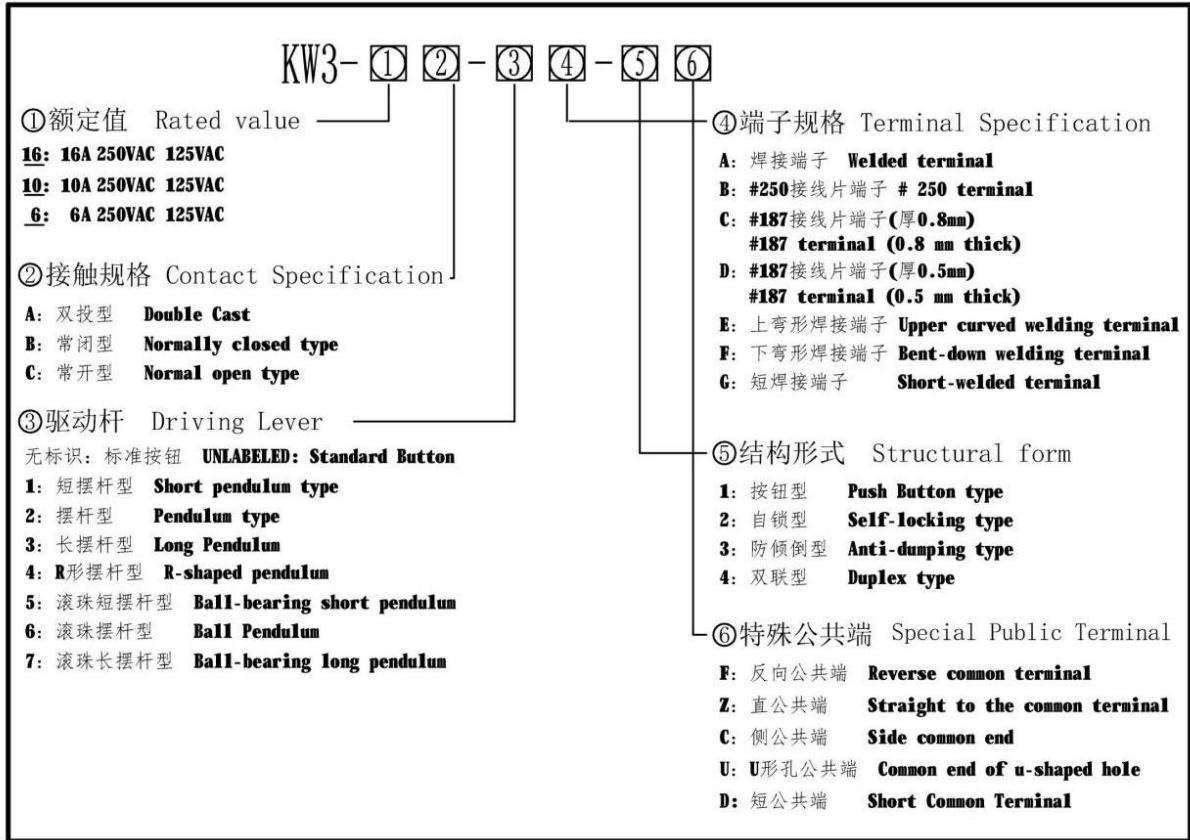
签字  
SIGNATURE

日期  
DATE

# Data Sheet

## 系列微动开关技术条件 Specification for series microswitch

### ■型号标准 Model standard



### ■技术特性 Technical characteristics

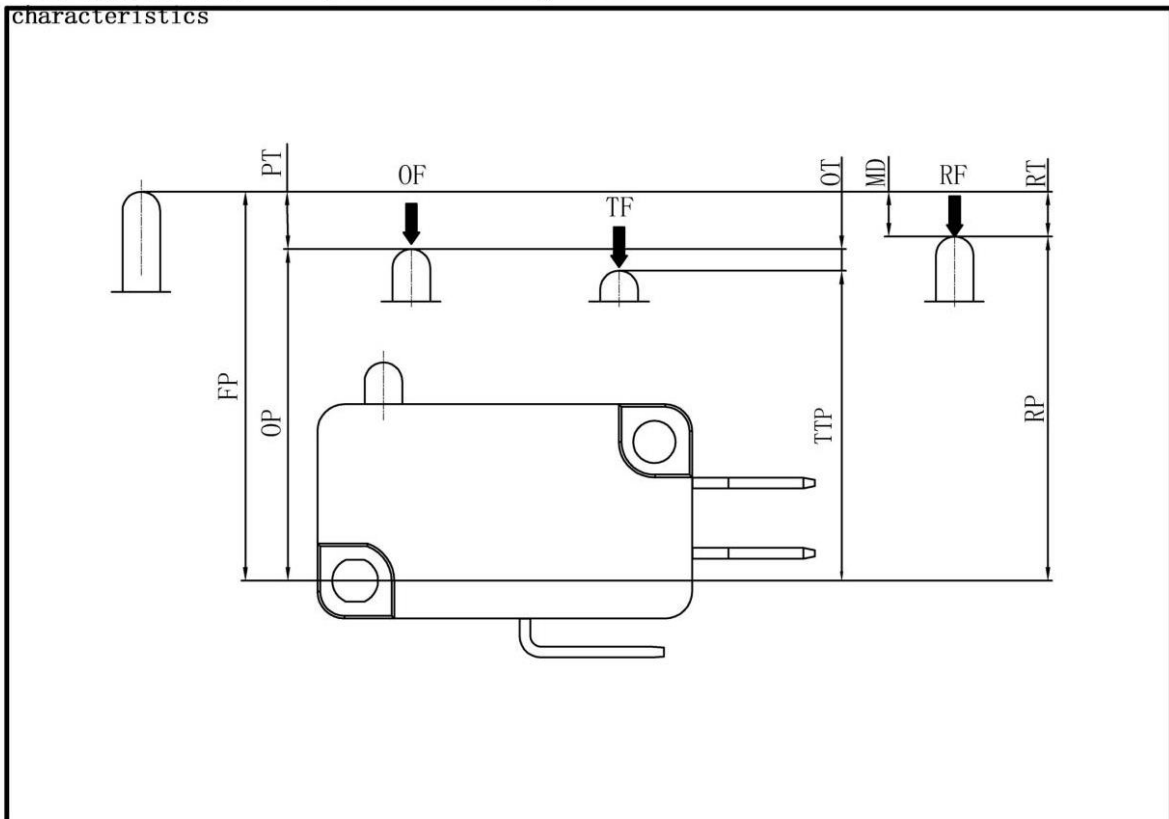
| 项目 Item                    |   | 特性值 Value  |
|----------------------------|---|--|
| 工作速度 Operating Speed       |   | 0.1mm-1m/s(与驱动方式有关) Related with actuator forms  |
| 操作频率 Operating Frequency   | 电器 Electrical   | 15次/分 cycles/minute  |
|                            | 机械 Mechanical   | 60次/分 cycles/minute  |
| 温度等级 Degree of temperature |   | T105   |
| 额定电压 Rated voltage         |   | AC250V   |
| 绝缘电阻 Insulation resistance |   | ≥100MΩ (500VDC)  |
| 接触电阻 Contact resistance    |   | ≤30mΩ (初始值) (Initial value)  |
| 耐电压<br>Test voltage        | 同极不相接端子间<br>Between terminals of the same polarity  | AC1000V, 50/60Hz, 1min   |
|                            | 带电金属零件与地(外壳)之间, 接线端与不带电金属之间<br>Between current-carrying metal parts and ground(case), and between each terminal and non-current-carrying metal parts. | AC1500V, 50/60Hz, 1min   |
| 寿命 Life                    |   | 机械≥1,000,000 次; Mechanical ≥1,000,000 cycles<br>电气≥50,000 次; Electrical ≥50,000 cycles |

# Data Sheet

## 系列微动开关技术条件

Specification for series microswitch

■ 开关动作特性解图 Diagram of switching action

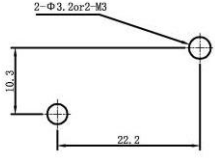
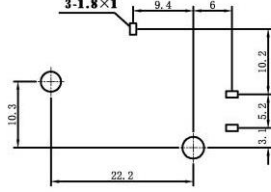
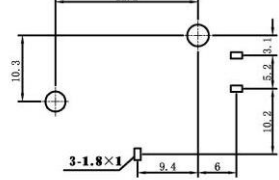


| 代号<br>Code | 参数名称<br>Name                         | 含义 Meanings   |
|------------|--------------------------------------|---|
| PT         | 动作行程<br>Pre travel                   | 驱动件从自由位置到动作位置间的位移<br>The displacements of actuator from free positioning to operating position.                           |
| OT         | 超行程<br>Over travel                   | 驱动件从动作位置到全行程位置间的位移<br>The displacements of actuator from operating positioning to total travel position.                  |
| MD         | 差动行程<br>Movement differential travel | 驱动件从动作位置到释放位置或释放位置到动作位置间的位移<br>The displacements of actuator from operating positioning to release position.              |
| RT         | 释放行程<br>Release travel               | 驱动件从释放位置到自由位置间的位移<br>The displacements of actuator from release positioning to free position.                             |
| OF         | 动作力<br>Operating force               | 驱动件从自由位置到动作位置必须的最大操力。<br>The max.force of displacements of actuator from free positioning to operating position.          |
| TF         | 全行程力<br>Total travel force           | 驱动件在全行程位置所承受的最小操作力<br>The smallest force of displacements of actuator on total travel position .                          |
| RF         | 释放力<br>Release force                 | 驱动件自正向动作位置返回到释放位置，操作减小到最小值<br>The force when the actuator moved back to release position from obverse operating position. |
| TTP        | 全行程位置<br>Total travel position       | 驱动件被止动时所处的位置<br>The position where the actuator be stoppde .  |
| OP         | 动作位置<br>Operating position           | 驱动件在瞬动机构发生正向动作瞬间所处的位置<br>The position where the actuator moved obverse on quick-moving parts.                             |
| RP         | 释放位置<br>Release position             | 驱动件在瞬动机构发生反向动作瞬间所处的位置<br>The position where the actuator moved reversely on quick-moving parts.                           |
| FP         | 自由位置<br>Free position                | 驱动件在不承受操作力以及力不足以引起位移时所处的位置<br>The position where the actuator lead the displacements when its out of force is not enough. |

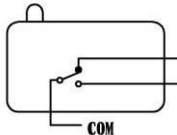
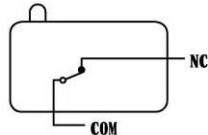
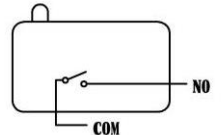
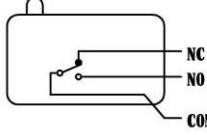
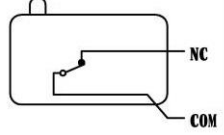
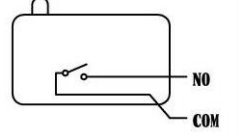
# Data Sheet

## 系列微动开关技术条件 Specification for series microswitch

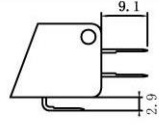
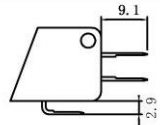
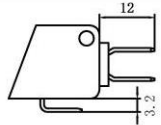
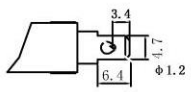
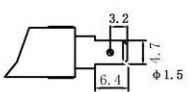
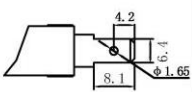
### ■ 安装孔加工尺寸 Machining dimension of mounting

|   |   |   |
|---|---|---|
|  | 右侧面PCB端子<br>Right side PCB terminal   | 左侧面PCB端子<br>Left side PCB terminal  |
|   |  |  |

### ■ 接触形式说明图 Contact form diagram

| 公共端类型<br>Common terminal types   | 转换式 SPDT<br>(双投型)   | 常闭式 SPST-NC  | 常开式 SPST-NO   |
|----------------------------------|---|--|---|
| 公共端在底部<br>Bottom common terminal |  |  |  |
| 公共端在侧面<br>Side common terminal   |  |  |  |

### ■ 端子的种类/形状 Type/shape of terminal

| 焊接端子<br>Welded terminal   | #187接线片端子<br>Terminal block #187  | #250接线片端子<br>Terminal block #250  |
|---|---|---|
|  |  |  |
|  |  |  |