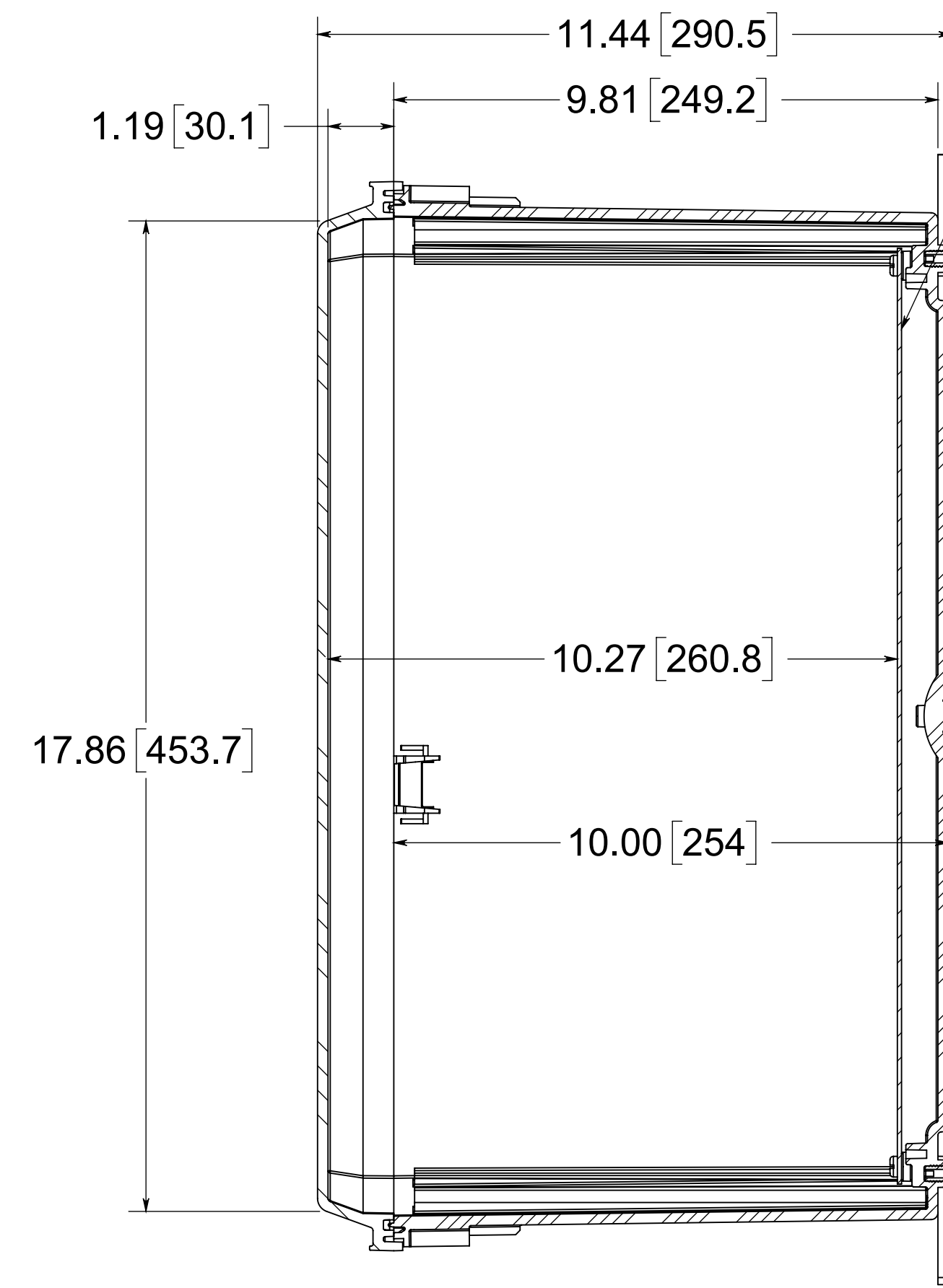
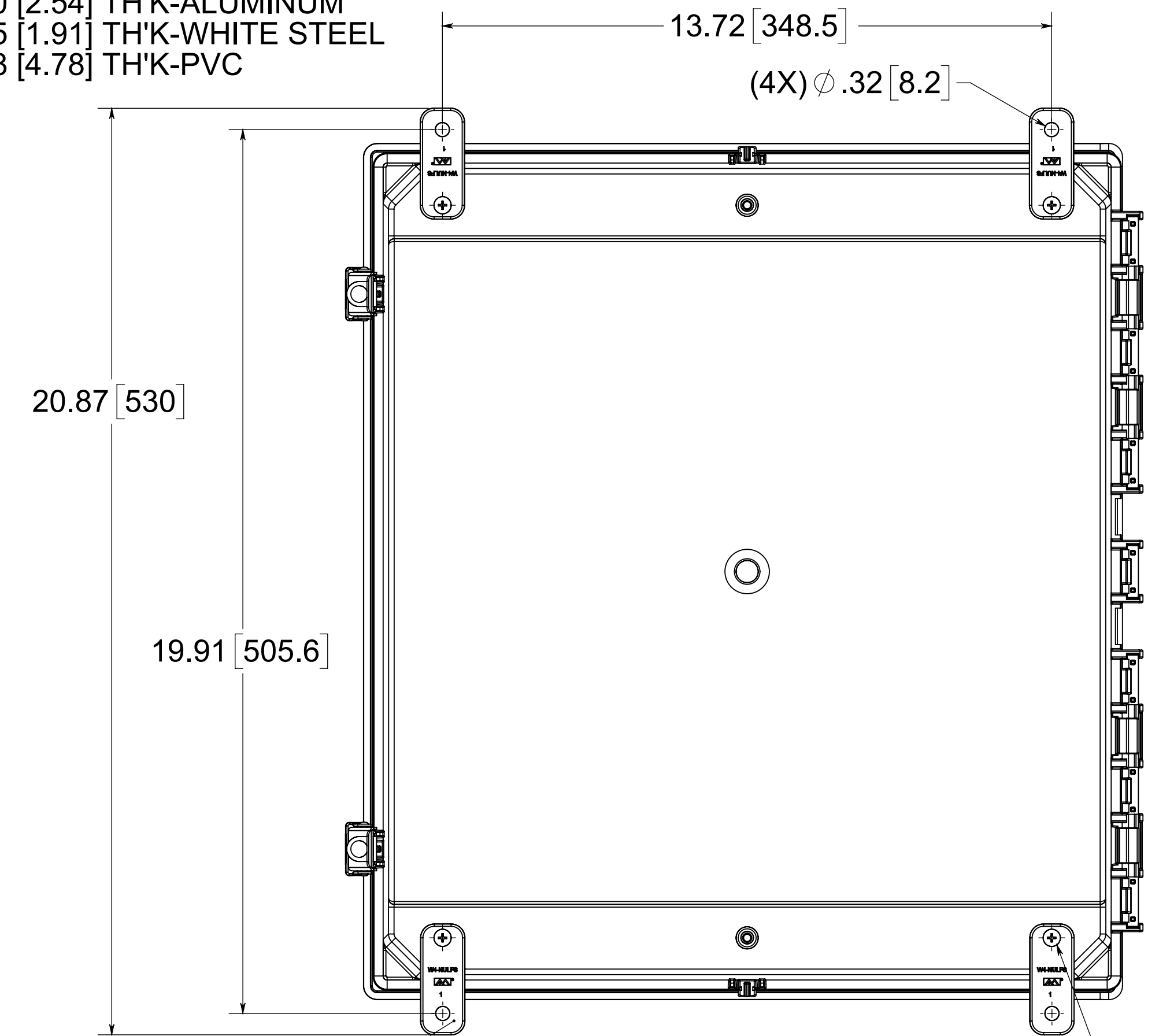


(4X) SNAP-IN
POLYCARBONATE
HINGE KNUCKLE



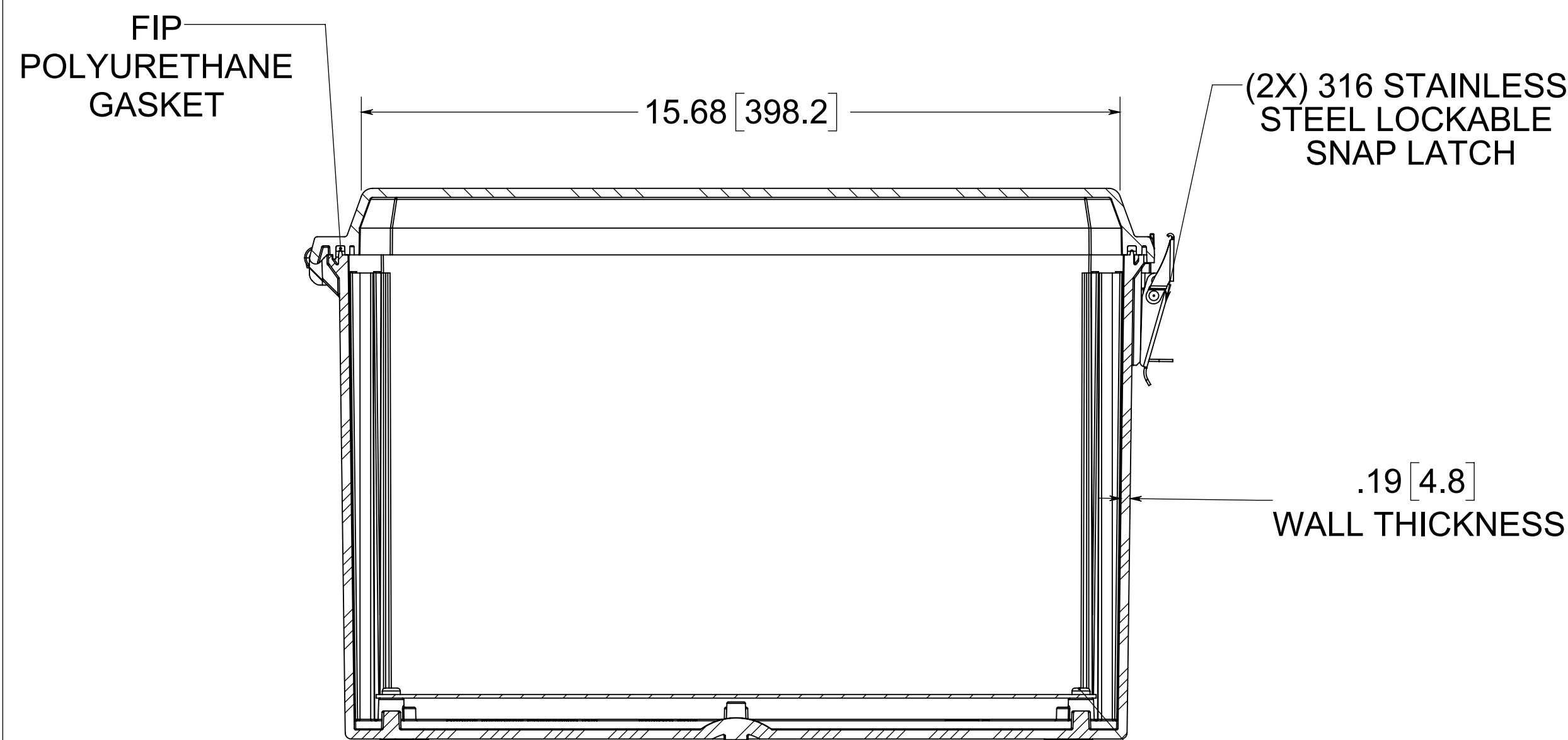
SECTION A-A
SCALE 1 : 2.5

OPTIONAL BACK PANEL
0.100 [2.54] TH'K-ALUMINUM
0.075 [1.91] TH'K-WHITE STEEL
0.188 [4.78] TH'K-PVC



(4X)
POLYCARBONATE
FEET

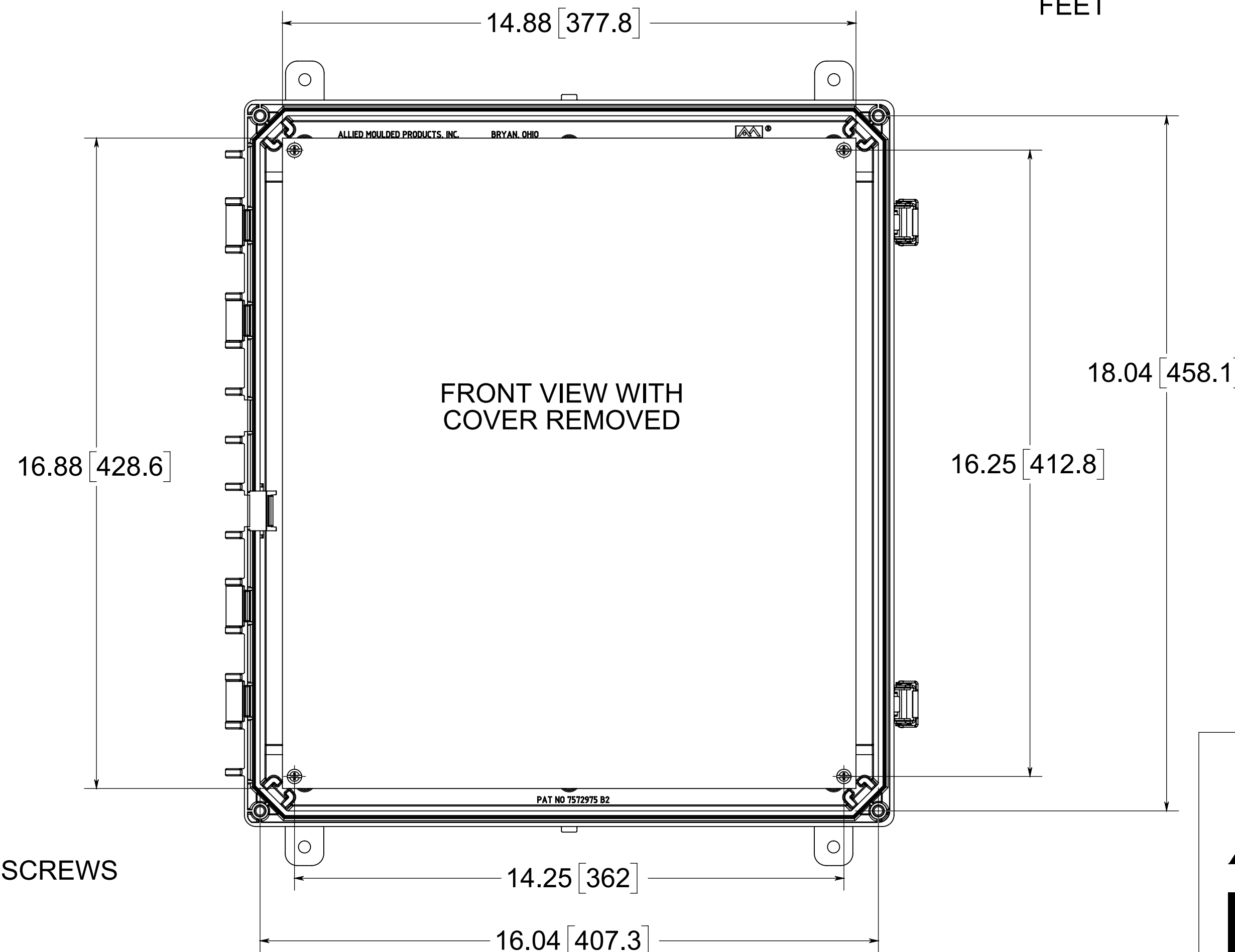
(4X) #10-32 BRASS INSERTS,
316 STAINLESS STEEL FLANGE
AND FEET SCREWS



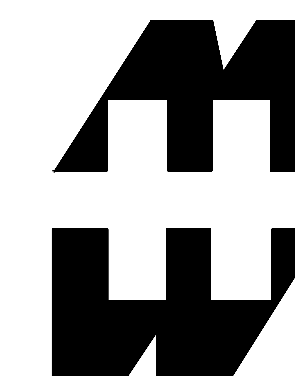
SECTION B-B
SCALE 1 : 2.5

MATERIAL:
BOX - INJECTED POLYCARBONATE
STANDARD COVER - INJECTED POLYCARBONATE
CLEAR COVER - INJECTED POLYCARBONATE

4X #10-32 BRASS
INSERTS AND PLATED
CARBON STEEL TRUSS SCREWS



FRONT VIEW WITH
COVER REMOVED



PART No. PCJ181610L

for more information visit
www.hammfg.com
Data subject to change without notice

Drawing Not to Scale