



finder[®]
SWITCH TO THE FUTURE

KNX Universal Dimmer 2 channel



Kitchen
light control



Bedroom
light control



Living room
light control



Lighting control
in corridors
(for hotels, offices
and hospitals)



Building and
house automation



KNX Universal Dimmer with 2 channels

- 2 x 400W channels
- LED indicators for each channel
- Thermal protection and short-circuit protection
- Manual override through front panel
- Scenario Management
- Power supply via KNX bus
- 35 mm rail (EN 60715) mounting
- Suitable for ETS 4 (or latest versions)

Screw terminal



NEW 15.2K.8.230.0400



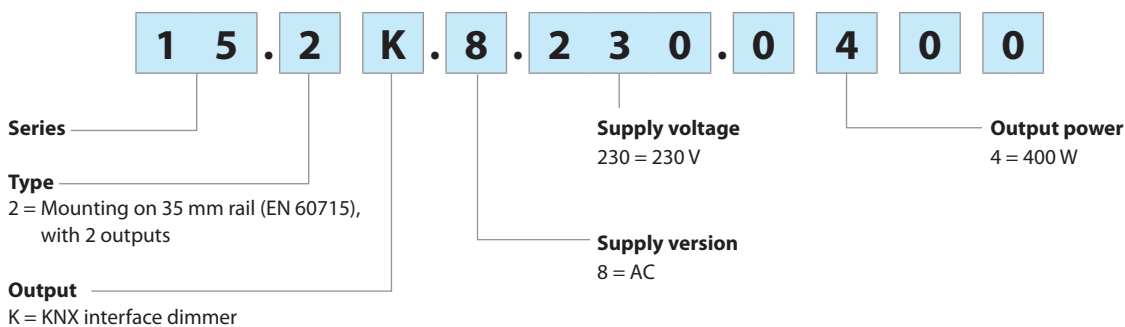
- Dimming operating modes: Leading Edge or Trailing Edge, ETS configurable
- Suitable for many kind of loads: LED lamps, halogen, CFL, electronic and electromagnetic transformers

For outline drawing see page 5

Output data	
Rated voltage	V 230
Power max.	W 400
Power min.	W 2
Nominal lamp ratings 230 V:	
230 V incandescent or halogen W	400
Toroidal electromagnetic transformers for LV halogen W	400
E-core electromagnetic transformers for LV halogen W	400
Electronic transformers (or ballasts) for LV halogen W	400
Dimmable compact fluorescent (CFL) W	100
Dimmable 230 V LED W	100
Dimmable electronic transformers for LV LED W	100
Dimming operating modes	Leading Edge / Trailing Edge
Supply specification	
Type of BUS	KNX
Supply voltage	V DC 30
Rated consumption	mA 7
Technical data	
Ambient temperature range	°C -5...+45
Protection category	IP 20
Approvals (according to type)	CE

Ordering information

Example: type 15.2K, KNX Universal Dimmer with 2 channels, 230 V AC.




Technical data

EMC specifications

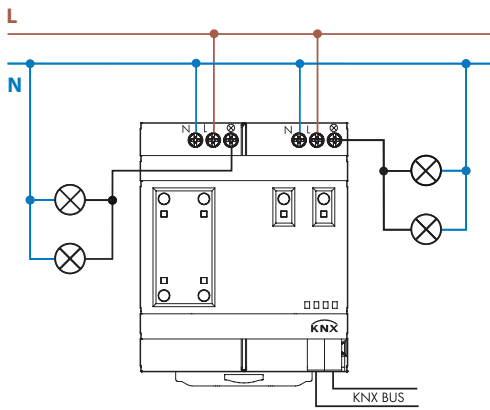
Type of test		Reference standard	
Electrostatic discharge	contact discharge	EN 61000-4-2	4 kV
	air discharge	EN 61000-4-2	8 kV
Radiated electromagnetic field	(80...1 000 MHz)	EN 61000-4-3	3 V/m
Fast transients (burst) (5-50 ns, 5 and 100 kHz)	on supply terminals	EN 61000-4-4	4 kV
Voltage pulses on supply terminals (surge 1.2/50 µs)	differential mode	EN 61000-4-5	2.5 kV
Radiofrequency common mode voltage (0.15...80 MHz)	on supply terminals	EN 61000-4-6	3 V
Voltage dips	70% U _N , 40% U _N	EN 61000-4-11	10 cycles
Short interruptions		EN 61000-4-11	10 cycles
Radiofrequency conducted emissions	0.15...30 MHz	EN 55014	class B
Radiated emissions	30...1 000 MHz	EN 55014	class B

Terminals

Max. wire size	solid cable		stranded cable	
	mm ²	1 x 6 / 2 x 2.5	1 x 4 / 2 x 1.5	
	AWG	1 x 10 / 2 x 14	1 x 12 / 2 x 16	
 Screw torque	Nm	0.5		
Wire strip length	mm	7		

Wiring diagram

Type 15.2K



Outline drawings

Type 15.2K
Screw terminal

