

IP66 Surface mounted LED luminaire

An IP66 rated LED luminaire for high quality low energy lighting in wet and dusty environments with opal diffuser for uniform lighting. Through-wired: equipped with two 3-pole push-terminals (N, earth, L) as standard. Easy, quick and tool-free installation thanks to the twist & lock mechanism in the end caps, which gives access to the push terminals. Flexible installation as mounting brackets can be positioned freely on the luminaire. High efficacy, up to 50% energy saving compared with T8 fluorescent.

Body: Polycarbonate, white

Diffuser: Opal, polycarbonate

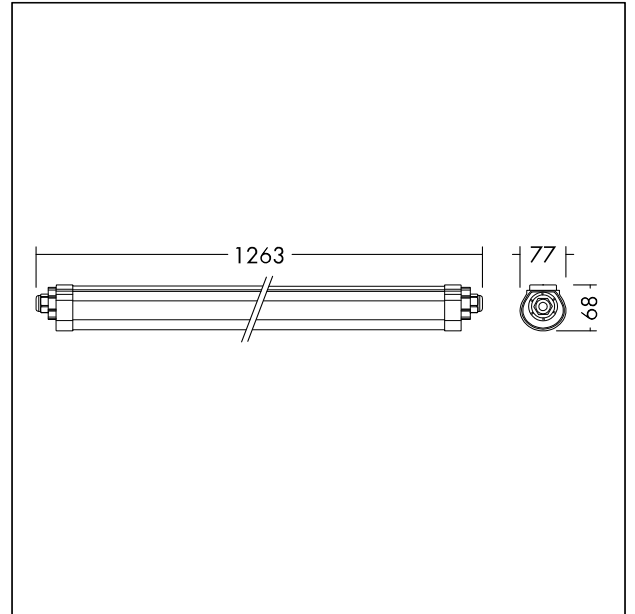
End caps: Polycarbonate, white

Brackets: Stainless steel

Weight: 1,15 kg



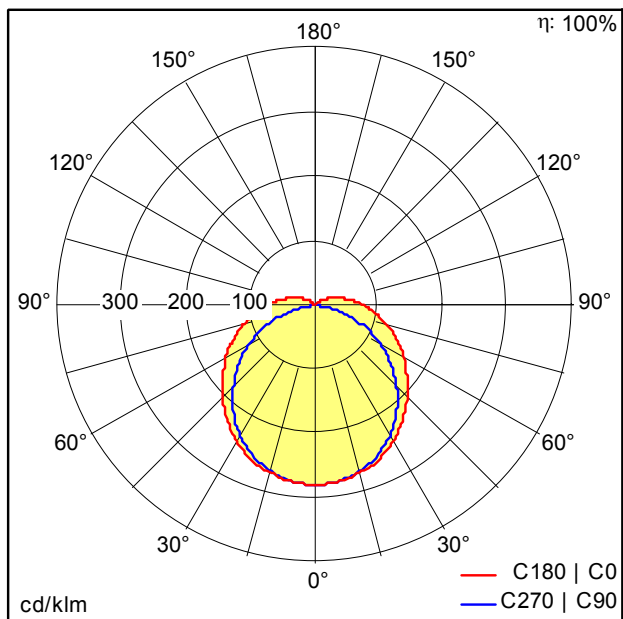
TE_LUCY_F_detail_03.jpg



TE_LUCY_M_1200.wmf

Light Distribution

STD - standard



TE_LUCY_1200_LED_IP66_4000_840_TW.Idt

- Light Source: LED
- Luminaire luminous flux*: 4004 lm
- Luminaire efficacy*: 100 lm/W
- Colour Rendering Index min.: 80
- Correlated colour temperature: 4000 Kelvin
- Chromaticity tolerance (initial MacAdam): 4
- Rated median useful life*: L70 50000h at 25°C
- Ballast: 1x LED_Con
- Luminaire input power*: 40 W Power factor = 0.9
- Dimming: Fixed output

All values marked with an * are rated values. Unless stated otherwise, the values apply to an ambient temperature of 25°C.