

483 mm (19") Industrial Network Cabinets, Indoor, IP55



✓ IP55 protection against water & dust

✓ IK10 mechanical impact resistance

✓ Doors with PU gasketing system

✓ incl. mounted plinth

Abstract

483 mm (19") Industrial Network Cabinets, Indoor, IP55, incl. plinth

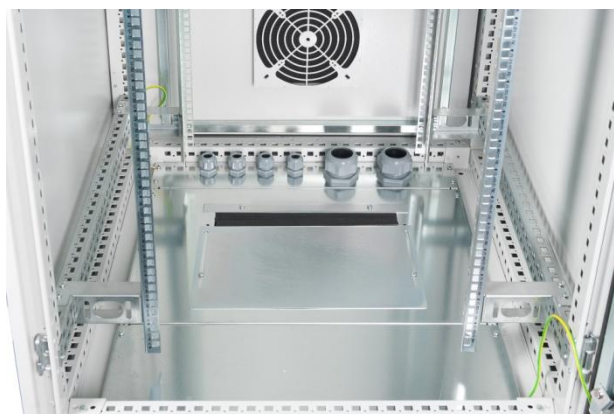
Features

- Safety class IP55 against dust & water ingress acc. to IEC EN60529
- IK10 mechanical impact resistance acc. to IEC EN62262
- Front door with complete metal frame and 4 mm strong tempered glass
- Closed steel rear door with filtered air inlet (250x250 mm)
- Front- and rear door with high quality swing handle levers, lockable
- 4 point locking system on front- & rear door
- Door structure is produced with multiple bending to obtain rigidity and strength
- Special gasketing system between metal frame and profile system made out of PUR (Polyurethane)
- Side panels with special fixing via countersunk bolt
- 130° door opening angle
- incl. already mounted plinth
- 1.5 - 2.0 mm strong steel sheet
- Corner parts made out of E-160 material with aluminum injection molding, high resistance against corrosion
- Profile hole structure rotary inside
- Load capacity of 483 mm (19") profile rails: 1500 kg
- 483 mm (19") profile rails mounted in the front- and rear side of the cabinet, with height unit marking
- 483 mm (19") profile rails are adjustable in depth
- Base chassis is equipped with sliding cable entry mechanism & PG cable entries (1x PG 48, 4x PG 21)
- Profiles produced with DIN EN10142-2000 DX51 D+Z material, high resistance against corrosion
- Roof with screwed visual cover panel for lifting eye bolts

Product Overview

The 483 mm (19") industrial cabinets are protected against dust and water ingress acc. to safety level IP55 (IEC EN 60529) to offer optimized conditions for the user friendly installation of active- and passive network components accompanied by a neat cable management in an industrial area. The color is created by a 70-90 μ strong powder coating in color grey (RAL 7035) with an adhesion capability acc. to EN ISO 2409: Class 0 to 1. An additional implemented 500 hours salt spray resistance test affirms the possible operating temperature range from -25 °C up to +70 °C. The inside mounted 483 mm (19") profile rails (two pairs = 4 pieces) are galvanized and with height unit marking (countable from both directions). They are variable in depth and connected with additional depth support bars to realize extensive 483 mm (19") equipment installations. Furthermore there is an rotary profile hole structure inside. Each cabinet is equipped with a plinth (100 mm height) which offers additional space for cabling. The base of each cabinet is equipped with a sliding cable entry panel with rubber sealing as well as five PG cable screw inlets (4x PG21 + 1x PG48). An extensive portfolio of accessories for cable management, shelves, etc. will help to meet many requirements in daily use.

Product Images



Product Number Information

Item code	Color	Height Unit	Height	Width	Depth
600x600 mm (WxD)					
DN-19 24U-I-6/6-1	Grey (RAL 7035)	24U	1300 mm	600 mm	600 mm
DN-19 24U-I-6/6-1-B	Black (RAL 9005)				
DN-19 42U-I-6/6-1	Grey (RAL 7035)	42U	2100 mm		
DN-19 42U-I-6/6-1-B	Black (RAL 9005)				
600x800 mm (WxD)					
DN-19 24U-I-6/8-1	Grey (RAL 7035)	24U	1300 mm	600 mm	800 mm
DN-19 24U-I-6/8-1-B	Black (RAL 9005)				
DN-19 42U-I-6/8-1	Grey (RAL 7035)	42U	2100 mm		
DN-19 42U-I-6/8-1-B	Black (RAL 9005)				
600x1000 mm (WxD)					
DN-19 42U-I-6/10-1	Grey (RAL 7035)	42U	2100 mm	600 mm	1000 mm
DN-19 42U-I-6/10-1-B	Black (RAL 9005)				
600x1200 mm (WxD)					
DN-19-42U-I-6-12-1	Grey (RAL 7035)	42U	2100 mm	600 mm	1200 mm
DN-19-42U-I-6-12-1-B	Black (RAL 9005)				
800x800 mm (WxD)					
DN-19 42U-I-8/8-1	Grey (RAL 7035)	42U	2100 mm	800 mm	800 mm
DN-19 42U-I-8/8-1-B	Black (RAL 9005)				
800x1000 mm (WxD)					
DN-19 42U-I-8/10-1	Grey (RAL 7035)	42U	2100 mm	800 mm	1000 mm
DN-19 42U-I-8/10-1-B	Black (RAL 9005)				
800x1200 mm (WxD)					
DN-19-42U-I-8-12-1	Grey (RAL 7035)	42U	2100 mm	800 mm	1200 mm
DN-19-42U-I-8-12-1-B	Black (RAL 9005)				

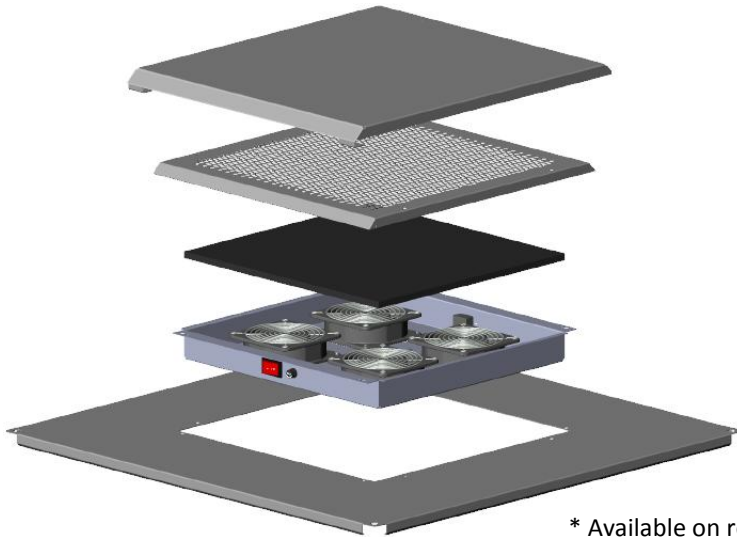
Product Number Information - Roof Construction with Fan Unit (4 Fans)

Item code	Color	Suitable cabinet dimensions (WxD) in mm
DN-19-FAN-4-I-6-6	Grey (RAL 7035)	600x600 mm
DN-19-FAN-4-I-6-6-B	Black (RAL 9005)	
DN-19-FAN-4-I-6-8	Grey (RAL 7035)	600x800 mm
DN-19-FAN-4-I-6-8-B	Black (RAL 9005)	
DN-19-FAN-4-I-6-10	Grey (RAL 7035)	600x1000 mm
DN-19-FAN-4-I-6-10-B	Black (RAL 9005)	
DN-19-FAN-4-I-6-12	Grey (RAL 7035)	600x1200 mm
DN-19-FAN-4-I-6-12-B	Black (RAL 9005)	
DN-19-FAN-4-I-8-8	Grey (RAL 7035)	800x800 mm
DN-19-FAN-4-I-8-8-B	Black (RAL 9005)	
DN-19-FAN-4-I-8-10	Grey (RAL 7035)	800x1000 mm
DN-19-FAN-4-I-8-10-B	Black (RAL 9005)	
DN-19-FAN-4-I-8-12	Grey (RAL 7035)	800x1200 mm
DN-19-FAN-4-I-8-12-B	Black (RAL 9005)	

* Available on request - not included in standard delivery content

Technical Drawings

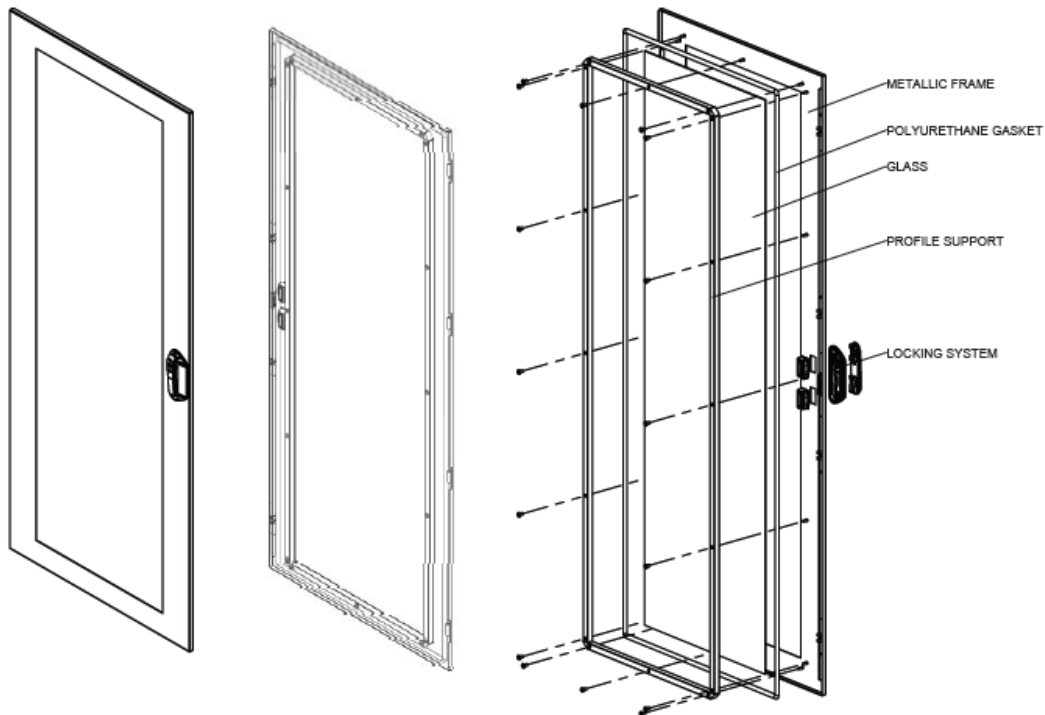
Roof Construction with Fan Unit



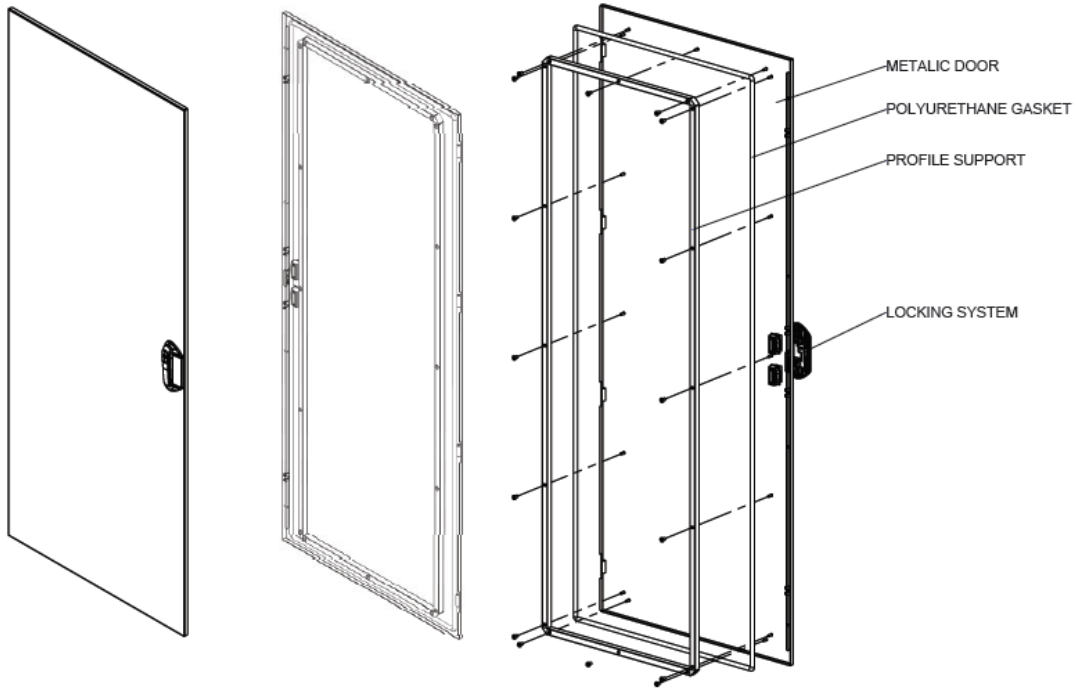
* Available on request

Door PUR gasketing system

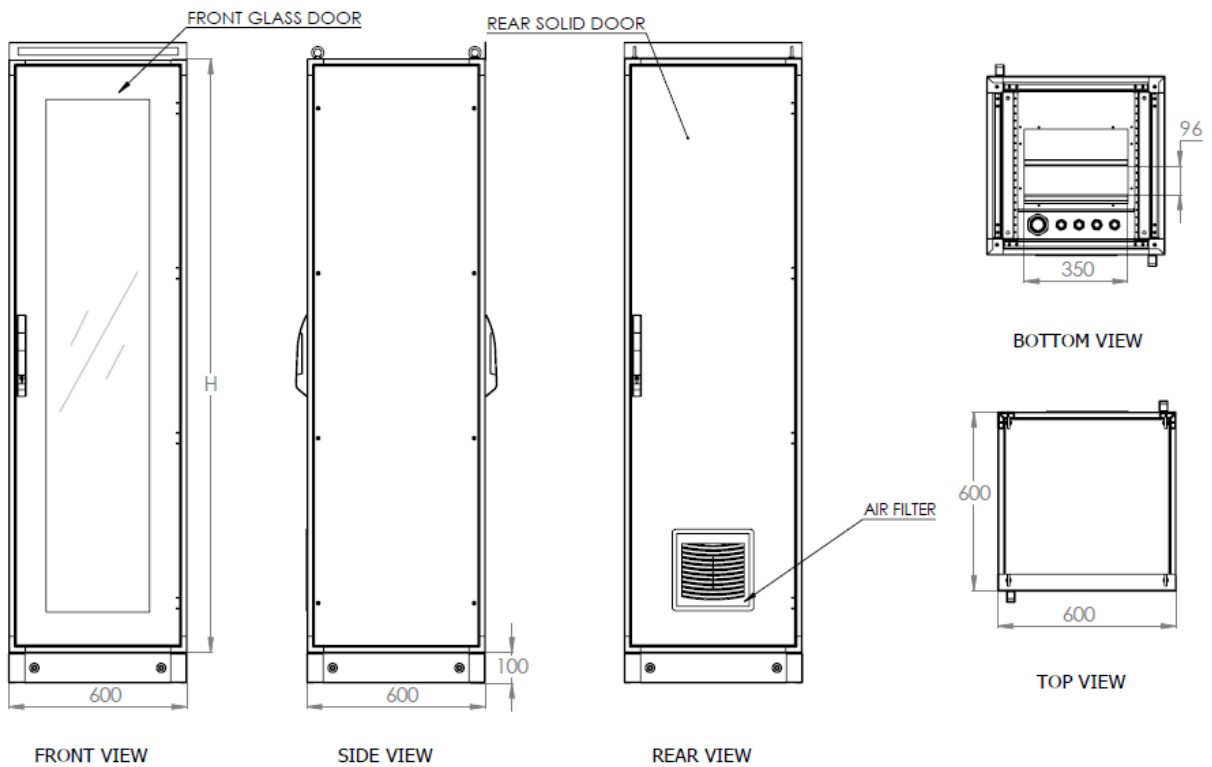
Front door



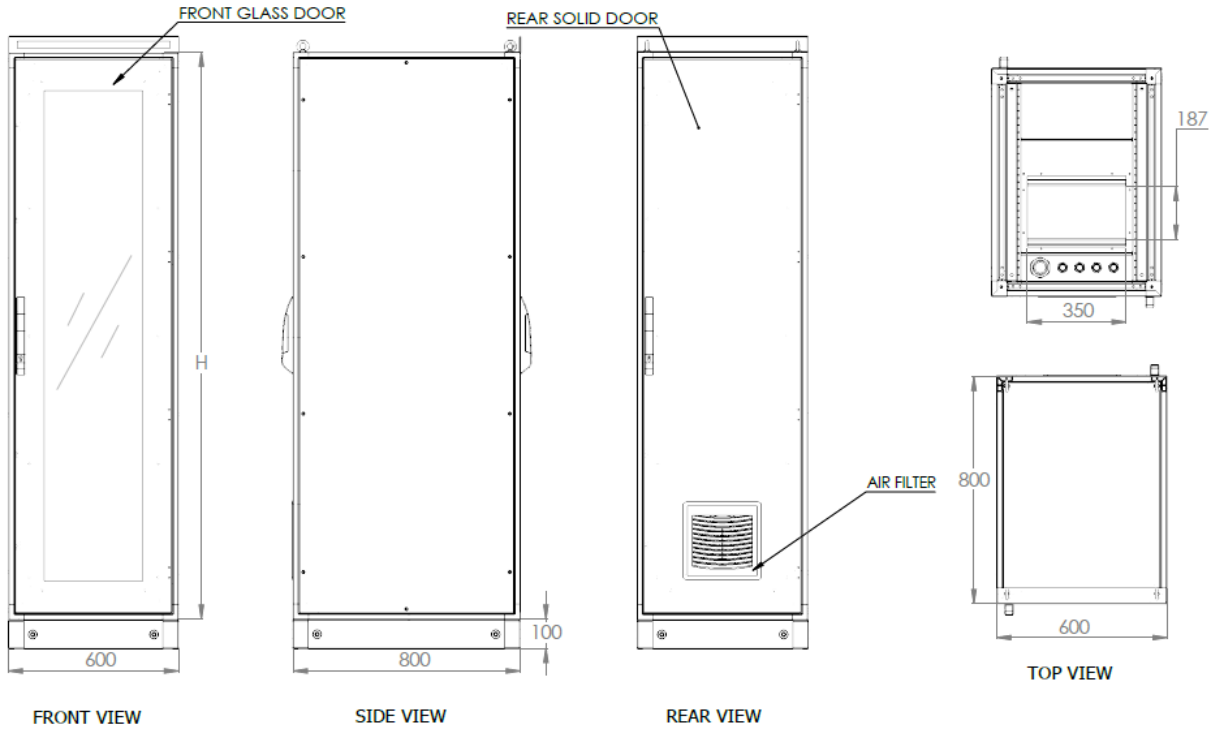
Rear door



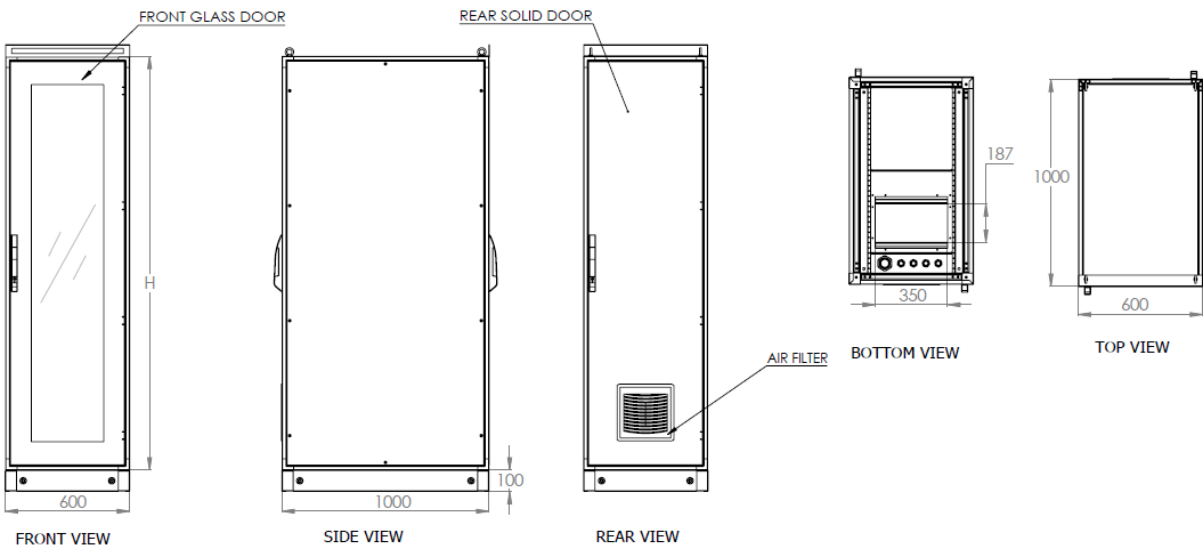
IP55 Network Cabinet | 600x600 mm



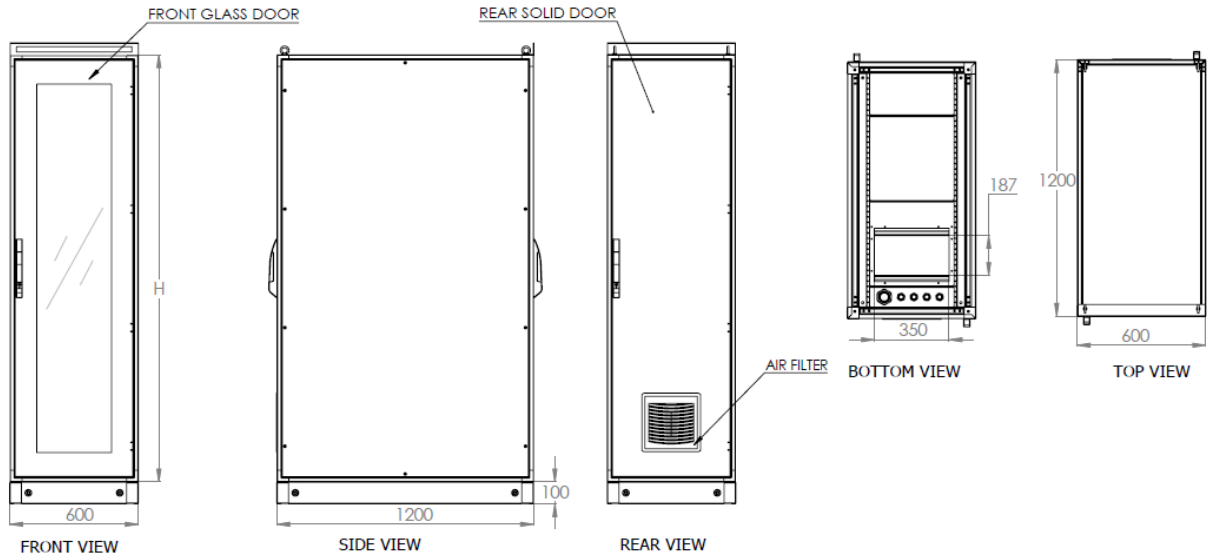
IP55 Network Cabinet | 600x800 mm



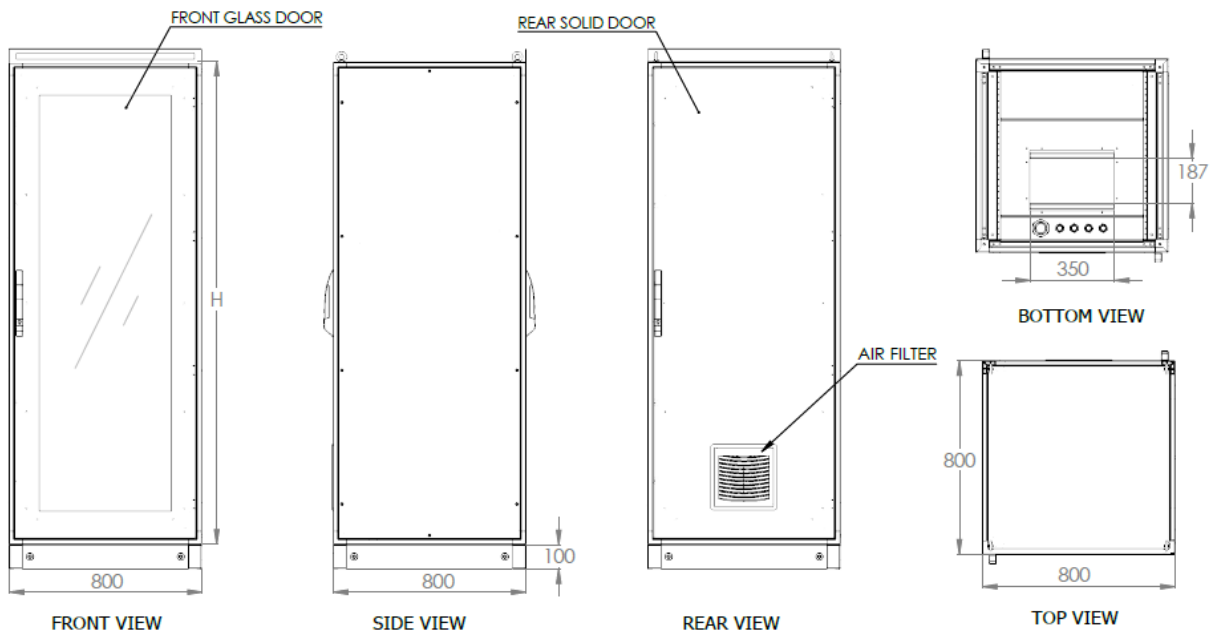
IP55 Network Cabinet | 600x1000 mm



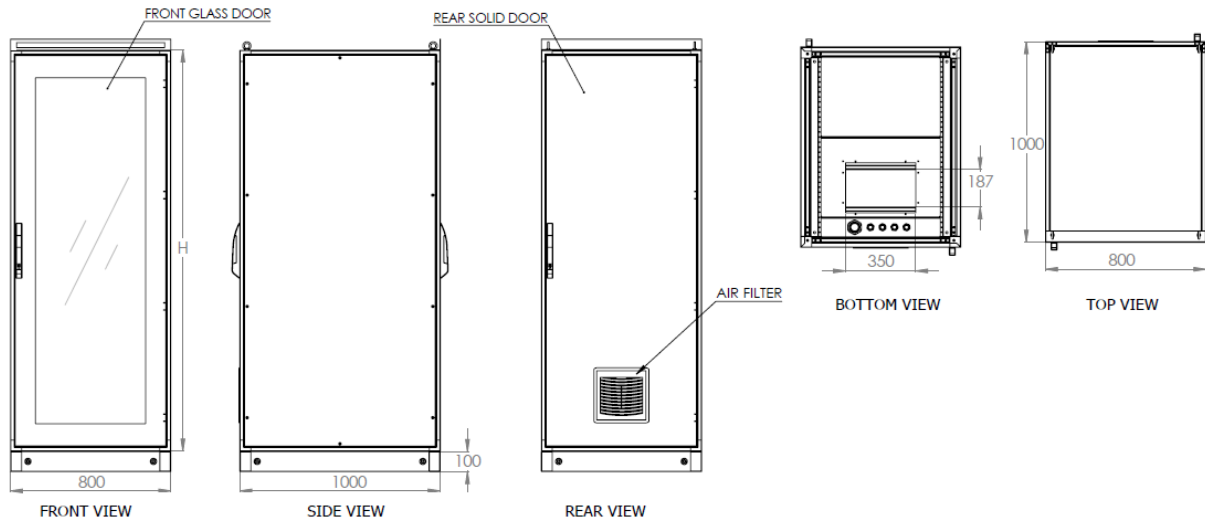
IP55 Network Cabinet | 600x1200 mm



IP55 Network Cabinet | 800x800 mm



IP55 Network Cabinet | 800x1000 mm



IP55 Network Cabinet | 800x1200 mm

