

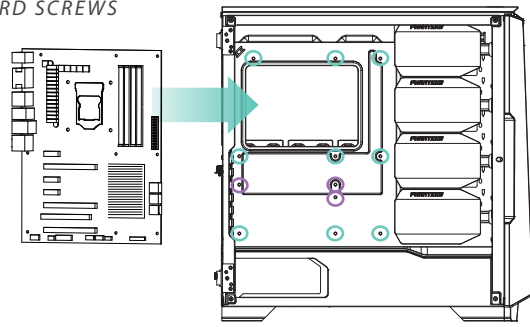
HARDWARE INSTALLATION

STEP 2. MOTHERBOARD INSTALLATION

INSTALL THE MOTHERBOARD WITH 9x MOTHERBOARD SCREWS

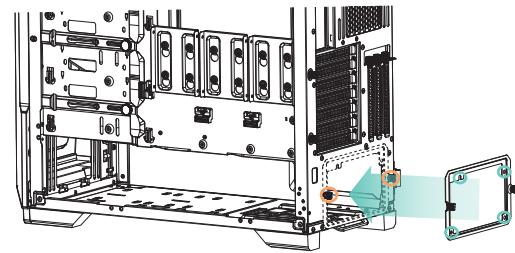
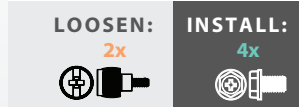


○ -MOUNTING POSITIONS FOR M-ATX MOTHERBOARDS.



STEP 3. POWER SUPPLY INSTALLATION

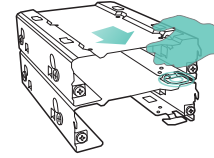
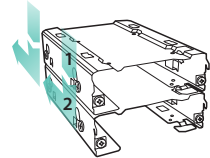
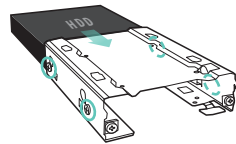
THE POWER SUPPLY IS INSTALLED IN THE REAR OF THE CHASSIS. LOOSEN THUMBSCREWS TO REMOVE PSU BRACKET. INSTALL PSU TO BRACKET WITH 4x PSU SCREWS.



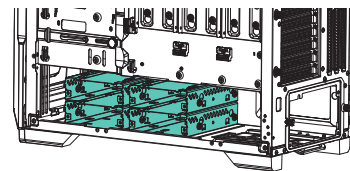
PRO TIP Plug in all cables you need for your build into the power supply first before installing it for easier installation

STEP 4. STORAGE INSTALLATION - 3.5" HDD

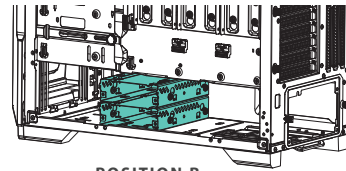
- a. INSTALL THE HDD DRIVE INTO ONE PHANTEKS STACKABLE 3.5" HDD BRACKET (2x INCLUDED)
- b. STACK THE BRACKETS IF USING MORE THAN ONE. IF NOT, SKIP THIS STEP
- c. TO REMOVE A TRAY FROM A STACK, LIFT UP LATCH AND PULL OUT



THE BOTTOM COMPARTMENT CAN HOUSE 4X STACKABLE HDD TRAYS. *2x Stackable HDD Trays are included. POSITION "B" WON'T LIMIT PSU/FRONT RADIATOR CLEARANCE, POSITION "A" ALLOWS FOR FRONT FANS ONLY.



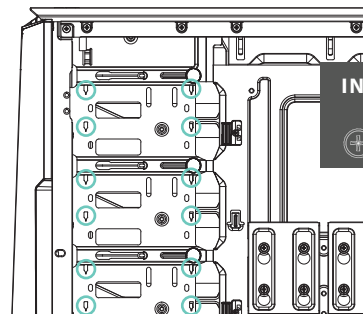
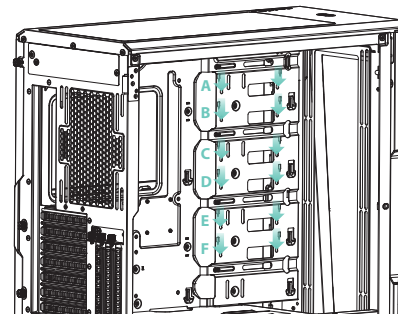
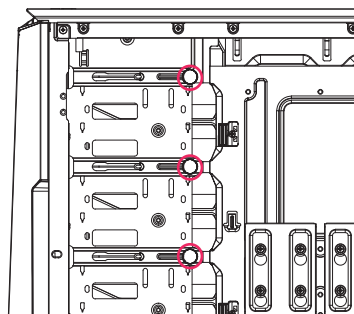
POSITION A+C
195mm PSU Clearance



POSITION B
250mm PSU Clearance
Max Front Radiator Clearance

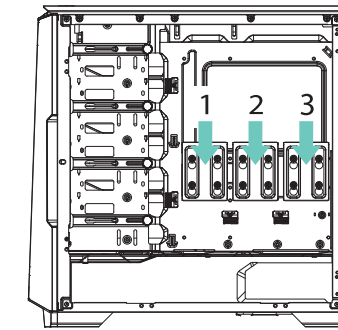
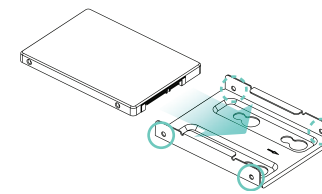
THE MAIN COMPARTMENT CAN HOUSE 6X STACKABLE HDD TRAYS.

- a. REMOVE THE CABLE COVER(S) TO REVEAL THE HDD MOUNTS
- b. MOUNT THE (SINGLE/STACKED) HDD BRACKETS IN POSITION.
- c. SECURE WITH 2 THUMBSCREWS



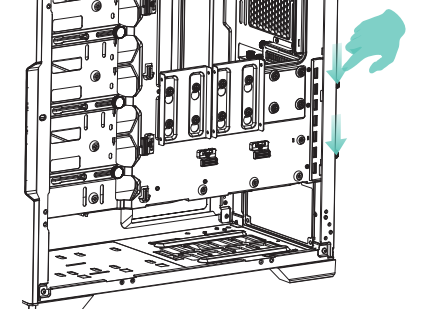
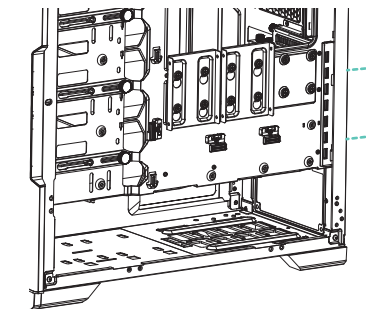
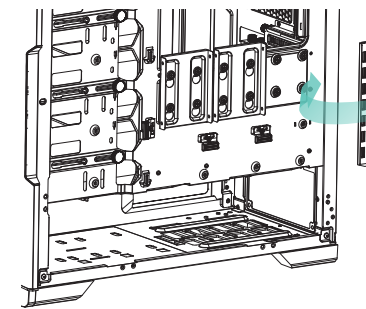
STEP 5. STORAGE INSTALLATION - 2.5" SSD

INSTALL THE SSD DRIVE WITH 4x SSD SCREWS AND MOUNT INTO THE CHASSIS.



STEP 6. GPU ANTI-SAG BRACKET INSTALLATION

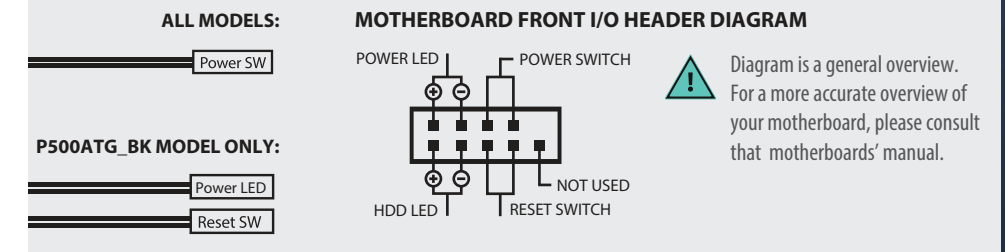
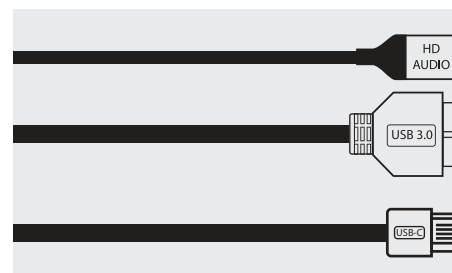
- a. PLACE THE GPU ANTI-SAG BRACKET, MAKE SURE TO INSTALL ALL GPU & PCI CARDS BEFOREHAND
- b. INSERT THE THUMBSCREWS WITHOUT TIGHTENING THEM.
- c. PRESS DOWN AND LOCK THE THUMBSCREWS IN POSITION.



CABLE CONNECTION

STEP 7. MOTHERBOARD CONNECTIONS

- a. CONNECT THE HD-AUDIO & USB 3.0 CABLES
- b. CONNECT THE FRONT I/O CABLES TO THE FRONT I/O HEADER ON THE MOTHERBOARD (SEE FRONT I/O HEADER DIAGRAM FOR GENERAL REFERENCE)



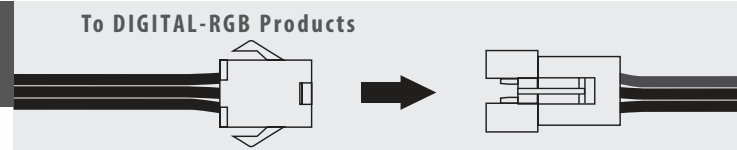
STEP 8. D-RGB LIGHTING - P500A D-RGB ONLY

- a. CONNECT THE SATA CABLE TO THE POWER SUPPLY



CONNECT MORE D-RGB PRODUCTS

- b. CONNECT D-RGB CONNECTOR TO D-RGB PRODUCTS



SYNC YOUR CASE LIGHTING TO THE MOTHERBOARD (OPTIONAL)

- c. CONNECT MOTHERBOARD D-RGB ADAPTER TO THE MOTHERBOARD

