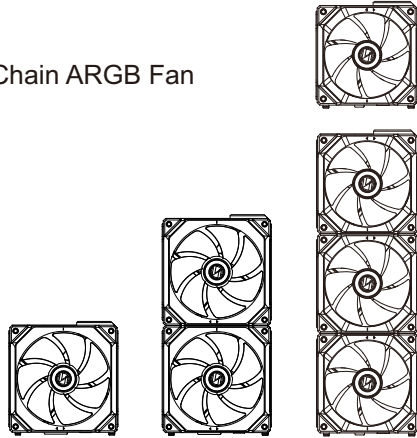


UNI FAN SL RGB

Revolutionized Daisy-Chain ARGB Fan

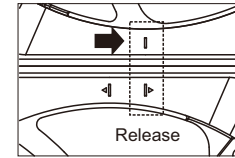
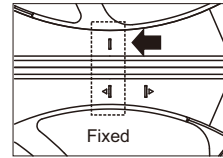
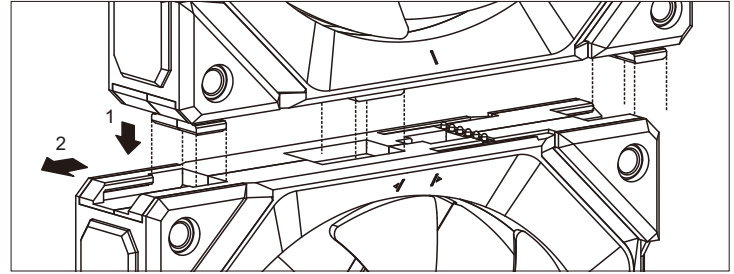
INSTALLATION GUIDE

安裝指南



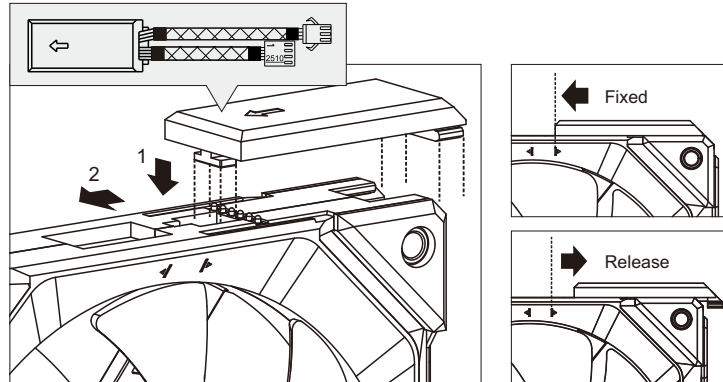
FAN TO FAN CONNECTION

風扇連接風扇



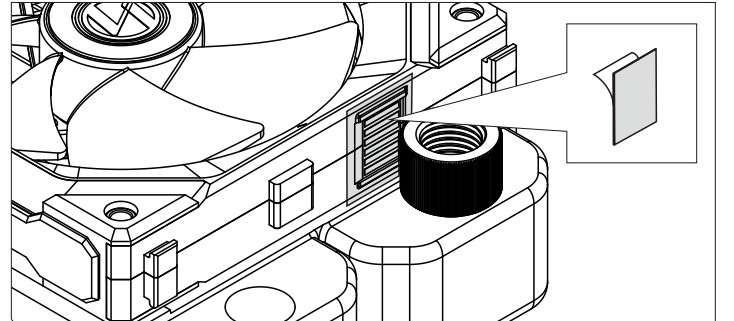
FAN CABLE INSTALLATION

風扇線材安裝



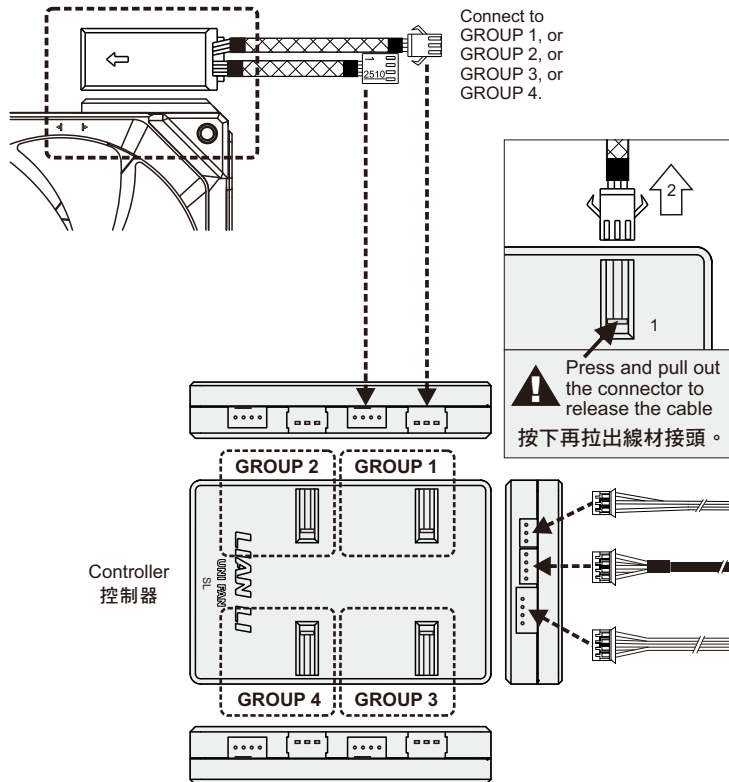
Note! When using the UNI FAN AL in a custom water cooling configuration, make sure that the fittings on the radiators do not interfere with the contact point on the side of the fans. We suggest to use the insulating tape to isolate contact points.

注意! 在開放式水冷配置中使用UNI FAN AL時，請確保散熱器上的轉接頭不會干擾風扇側面的接觸點，我們建議使用絕緣膠帶隔離接觸點。



CONTROLLER CABLE CONNECTION

控制器線材連接



MOTHERBOARD SYNC

同步主板

MOTHERBOARD 5V ADDRESS
LED HEADER

Warning: Do not connect the wrong type of LED connector. If it is connected to the 12 V connector, permanent damage will occur.

警告: 請不要連接錯誤類型的LED接頭，如果連接到12V接口，將造成永久損壞。

1 ADDRESS LED header			
1	+5V	2	Data
3	No Pin	4	Ground

