

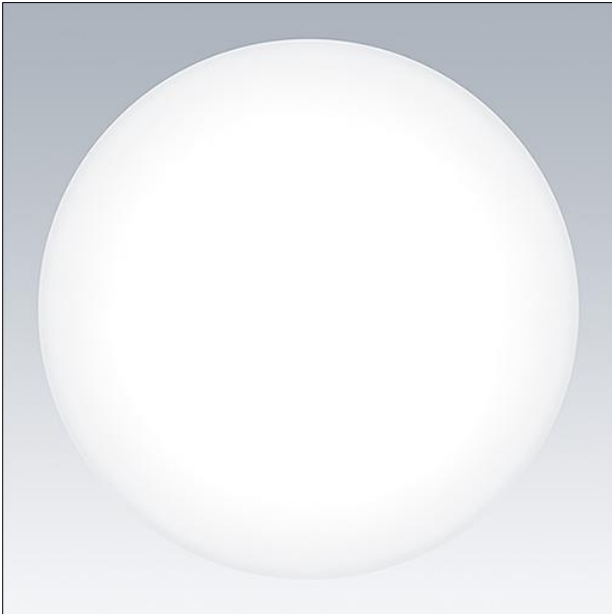
Surface mounted luminaire

Circular IP44 bulkhead with switchable colour temperature: choose between warm white (3000K) and neutral white (3500K or 4000K) to suit application use. Quality PMMA diffuser for an even light distribution. Reliable integrated LED technology, ensuring maintenance-free installation and a long lifetime. Direct replacement for 2x26W and more than 55% energy savings compared with luminaires with CFL lamps. Piano key terminal for wires up to 2.5mm². Quick and easy installation, loop-in loop-out possible. Integrated microwave presence sensor maximizing the energy saving potential. Flicker free.

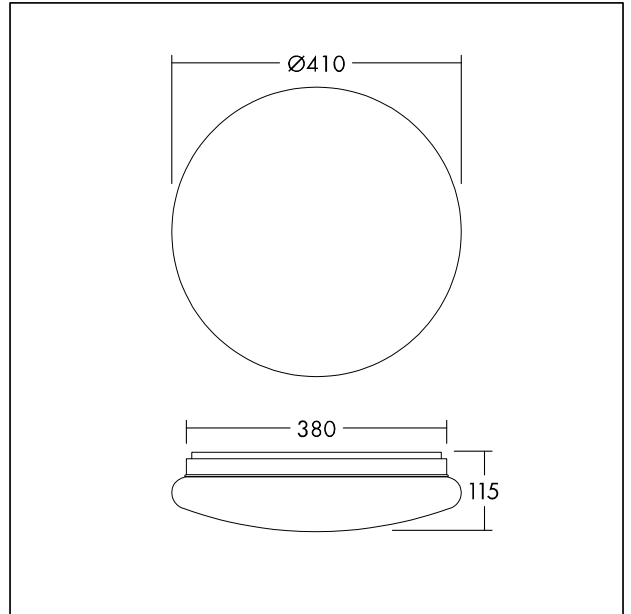
Backplate: steel, white finish.

Diffuser: opal, PMMA.

Weight: 0.88 kg



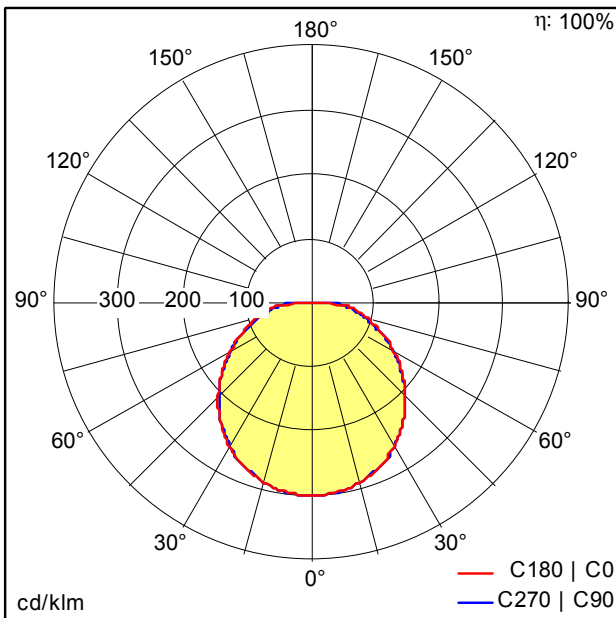
TE_LENA_F_frontal_380.jpg



TE_LENA_M_380.wmf

Light Distribution

STD - standard



TE_LENA_VARIO_LED_380_1900_840_MWS.idt

- Light Source: LED
- Luminaire luminous flux*: 1950 lm
- Luminaire efficacy*: 93 lm/W
- Colour Rendering Index min.: 80
- Correlated colour temperature: 3000-4000 Kelvin
- Chromaticity tolerance (initial MacAdam): 5
- Rated median useful life*: L70 50000h at 25°C
- Ballast: 1x LED_Con
- Luminaire input power*: 21 W Power factor = 0.9
- Dimming: Fixed output

All values marked with an * are rated values. Unless stated otherwise, the values apply to an ambient temperature of 25°C.