

## LED Floodlight

Very lightweight, compact and streamline design. Universal mounting bracket allows wall or surface mounting with the possibility of tilting upwards or downwards. Suitable to use with the "LEONIE PLUG&PLAY MWS" presence sensor (available as accessory). Pre-wired with mains cable.

Body: Aluminium die-cast (<5% copper)

Bracket: Steel, gray (RAL 9006)

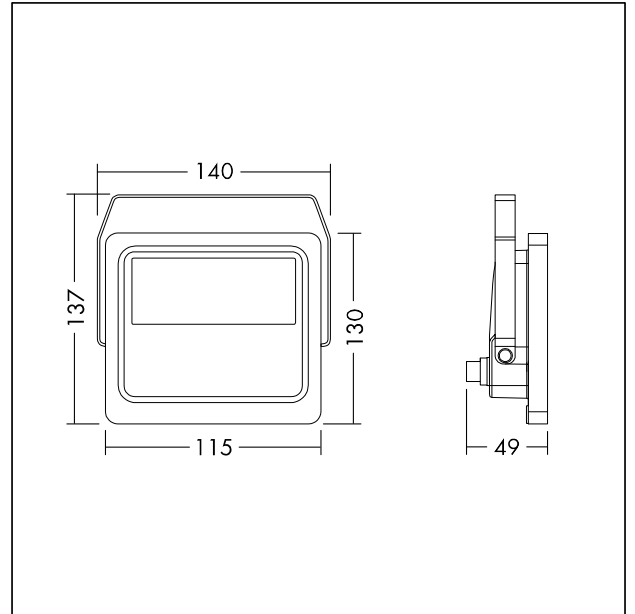
Cover: Tempered glass

Lens: PC

Weight: 0,45 kg



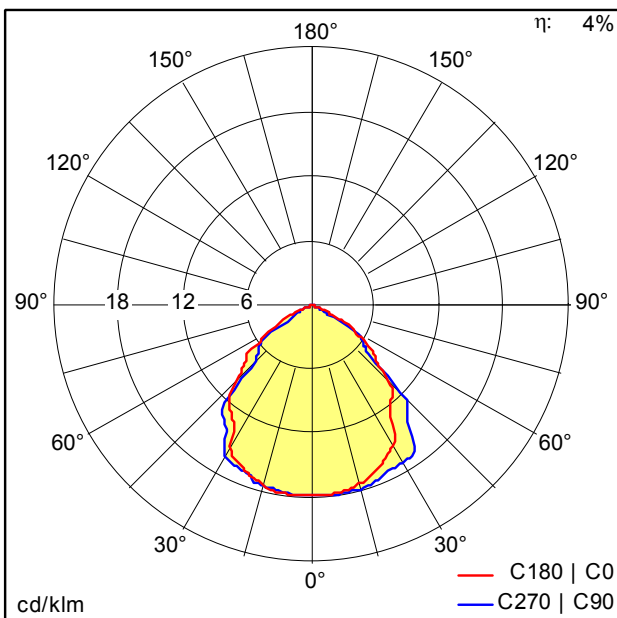
TE\_LEONIE\_F\_10.jpg



TE\_LEONIE\_M\_10.wmf

## Light Distribution

STD - standard



TE\_LEONIE\_LED\_FL\_IP65\_10W\_840.idt

- Light Source: LED
- Luminaire luminous flux\*: 40 lm
- Luminaire efficacy\*: 4 lm/W
- Colour Rendering Index min.: 80
- Correlated colour temperature: 4000 Kelvin
- Chromaticity tolerance (initial MacAdam): 5
- Rated median useful life\*:  
L70 50000h at 25°C
- Ballast: 1x LED\_Con
- Luminaire input power\*: 10 W Power factor = 0.9
- Dimming: Fixed output

All values marked with an \* are rated values. Unless stated otherwise, the values apply to an ambient temperature of 25°C.