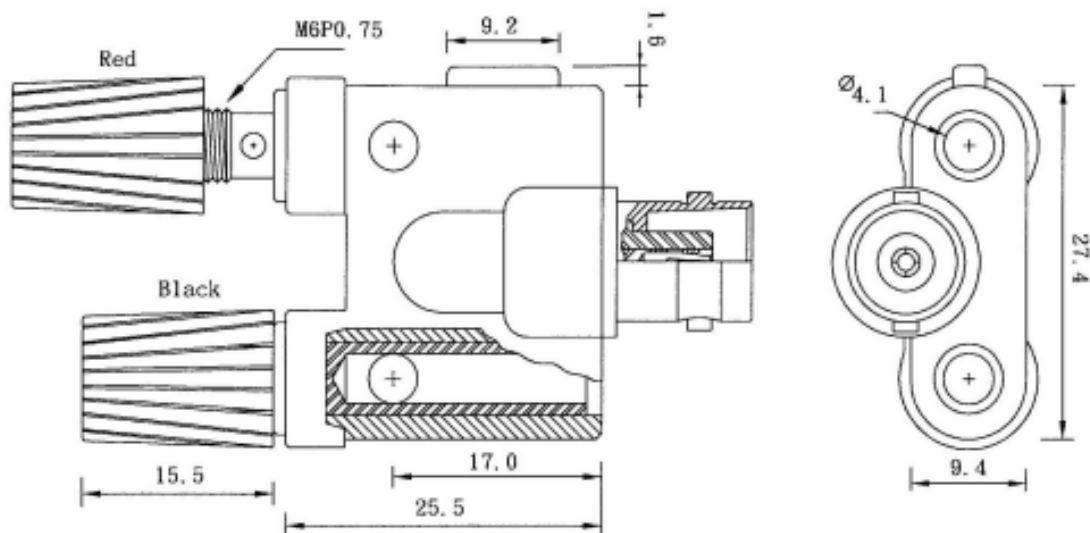


Data Sheet

Test lead adapter, BNC socket - 2x Banana Socket 4 mm



- 1- Body: Copper
- 2- Contact: Copper
- 3- Insulator: Delrin
- 4- Binding Post: Copper
- 5- Housing: PE
- 6- Knob: Nylon