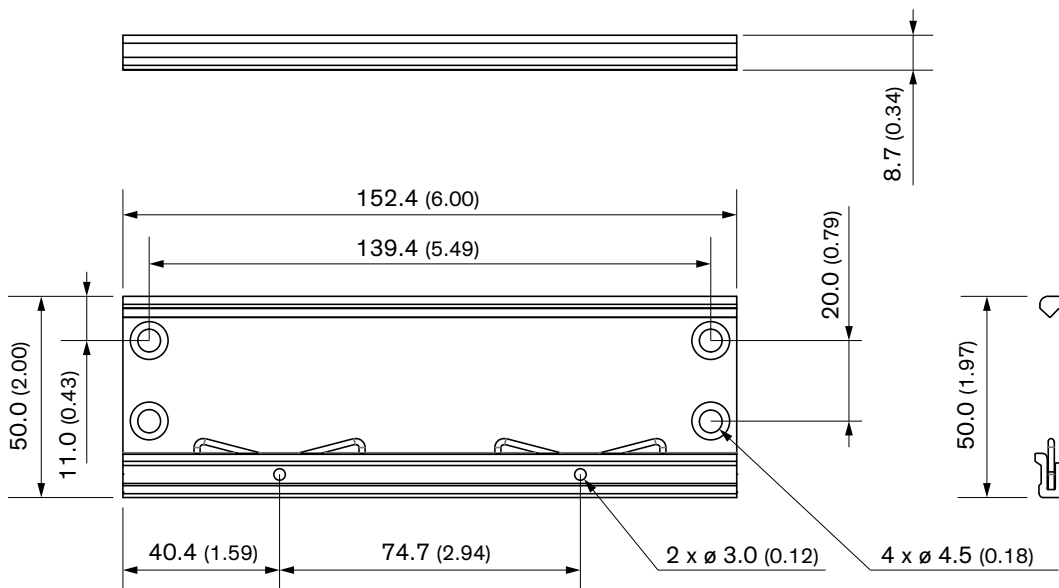


Order Code	TEQ-MK2
Compatible with	TEQ 300WIR
Package content	1x DIN-Rail clipper 4x Countersunk head screw M3x7.5
Material	Aluminum Alloy, Stainless Steel
Weight	72.2 g
RoHS Exemptions	No Exemptions



Outline Dimensions



Dimensions in mm (inch)