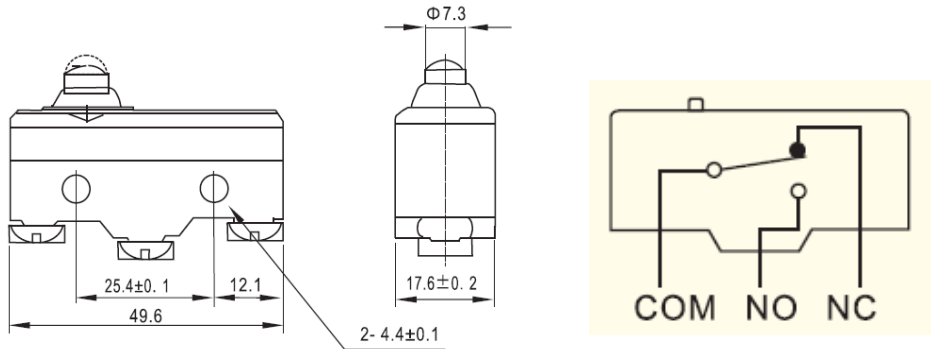


# Data Sheet

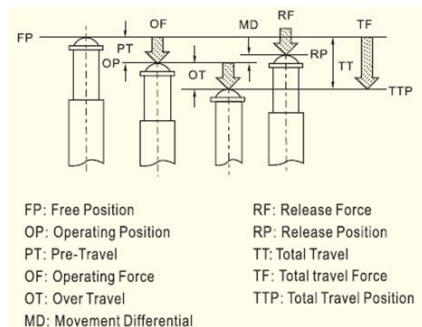
## Micro Switch

Version 03/23



### Operating Characteristics:

BN	2300339	2300340	2300341	2300342
OF Max.	350 g	350 g	160 g	160 g
RF Min.	114 g	114 g	28 g	42 g
PT Max.	0.4 mm	0.4 mm	3 mm	2.7 mm
OT Min.	1.6 mm	3.58 mm	2 mm	2.4 mm
MD Max.	0.05 mm	0.05 mm	1 mm	0.5 mm
PF Max.			24.8 mm	32.5 mm
OP	21.5±0.5	33.4±1.2	19±0.4	30.2±0.4



### Specification

Contact structure .....	1NO1NC
Switch rating .....	15A/250VAC
Terminal .....	Screw
Operating and storage temperature .....	-10 to +80 °C
Operating and storage humidity .....	lower than 95% RH
Mechanical Life .....	10,000,000 cycles
Electrical Life .....	500,000 cycles
IP rating .....	IP40