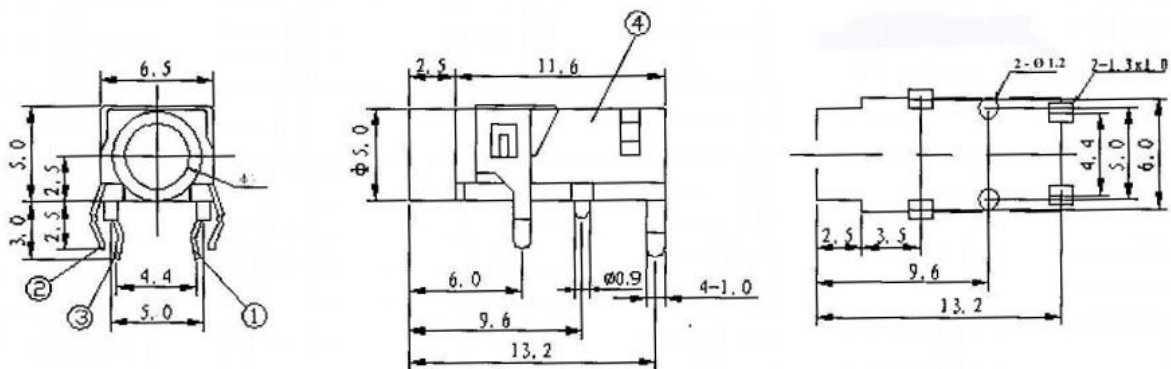


Data Sheet

3.5 mm Stereo audio jack Socket, horizontal mount



Connection: Soldering

Number of pins: 3

Connector type: Socket, horizontal mount

Mounting type: PCB mounting

Number of pins: 3/stereo

Contact material: Nickel plated

Mating cycles: ≥ 3000

Temperature range: -20 - +70 °C

Product type: 3.5 mm audio jack