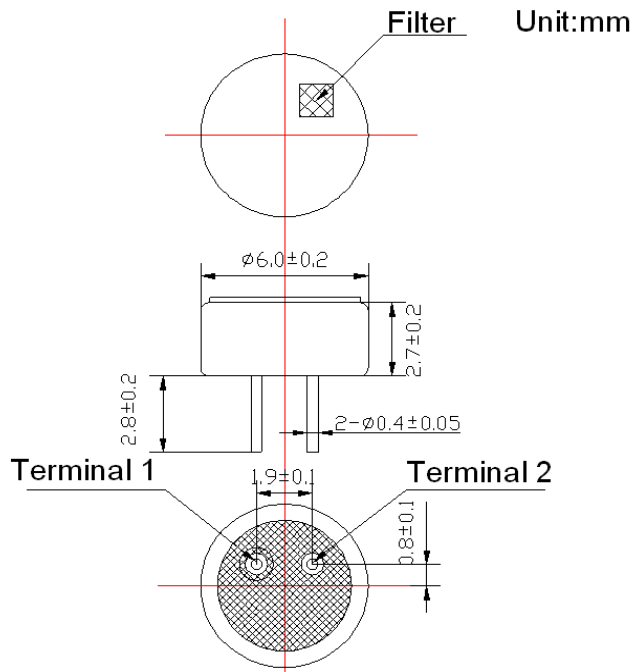


Data Sheet

Mechanical buzzer



Technical data

Specifications:

Standard operating voltage	2VDC
Max Operating voltage	10VDC
Impedance	2200 Ω
Sensitivity	-44dB \pm 3dB
Signal to noise ration	60dB
Operating temperature	-20 $^{\circ}$ C to +70 $^{\circ}$ C
Storage Temperature	-40 $^{\circ}$ C to +80 $^{\circ}$ C
Frequency	100 Hz to 10,000 Hz
Max Current Consumption	0.5mA

Data Sheet

Frequency response

