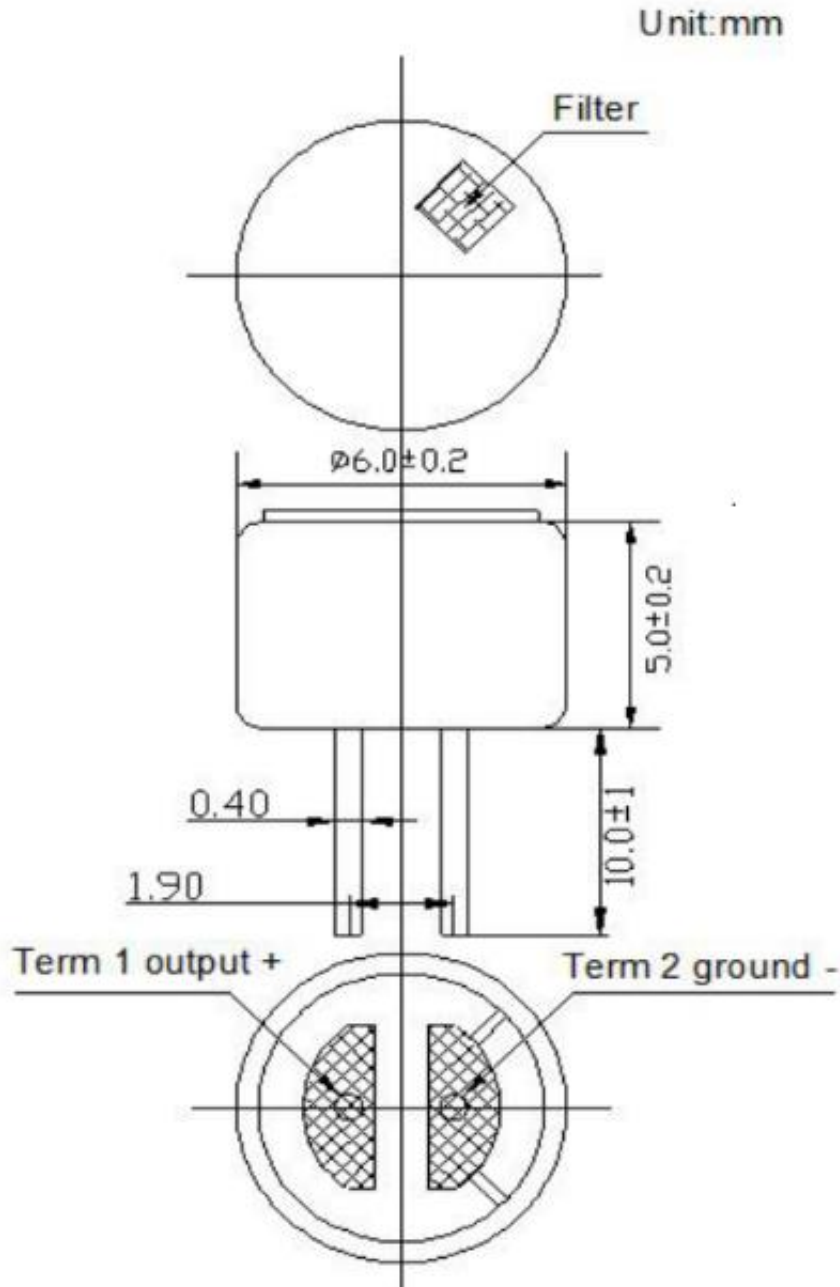


Data Sheet

MECHANICAL BUZZER



Data Sheet

Technical data

Specifications:

Standard operating voltage	4.5VDC
Max Operating voltage	10VDC
Impedance	2200Ω
Sensitivity	-44dB ±3dB
Signal to noise ration	60dB
Operating temperature	-20°C to +70°C
Storage Temperature	-40°C to +80°C
Frequency	100 Hz to 10,000 Hz
Max Current Consumption	0.5mA
Directivity	Omni-directional

Frequency response

