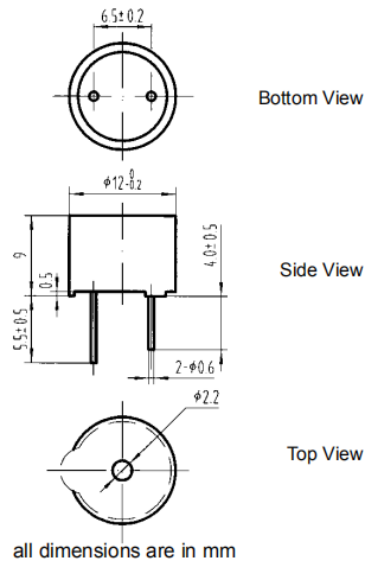
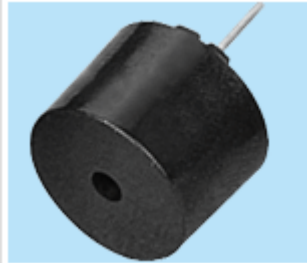


Data Sheet

PIEZO BUZZER



Technical data

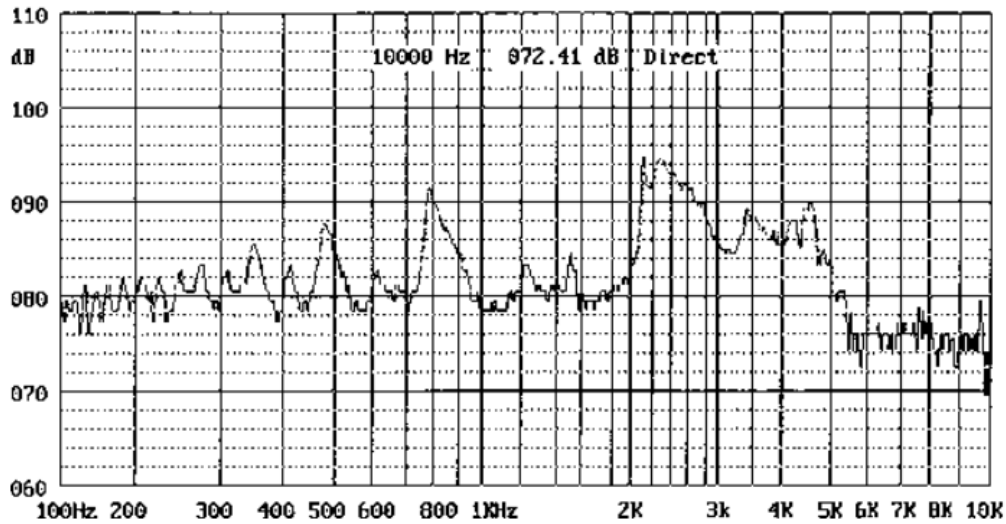
Specifications:

Rated voltage	5VDC
Operating voltage	4V-8VDC
Max Rated current	80mA at 5VDC
Min Sound Pressure Level	85dB at 10cm
Resonant Frequency	2400Hz
Operating temperature	-20°C to +70°C
Storage Temperature	-30°C to +80°C
Housing material/color	PBT/BLACK
Weight	2g

Remarks: It is a passive buzzer that requires an external driver circuit

Data Sheet

FREQUENCY RESPONSE *[actual curve of type]*



applied voltage: 5 V. 1/2 duty, square wave

distance for measurement: 10cm