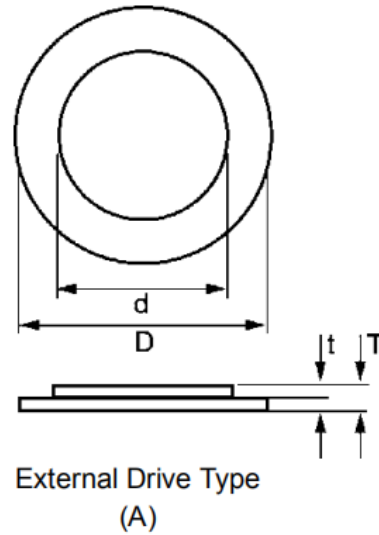
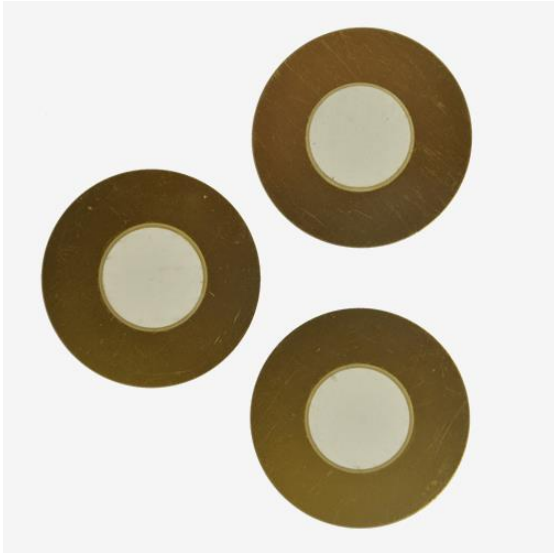


Data Sheet

Piezo ceramic element



Type A: (D: $\text{\O}20\text{mm}$, d: $\text{\O}15\text{mm}$, T: 0.22mm , t: 0.11mm)

Technical data

Specifications:

Resonant Frequency	$4.0\text{KHz} \pm 0.5\text{KHz}$
Max Resistance (Z_r)	500Ω
Capacitance	$30000\text{pF} \pm 30\% \text{nF}$